

LENOXX
PWF340

smart

Pet Water Fountain



Model no: PWF340

Batch no: PR4229

PLEASE READ AND RETAIN THESE INSTRUCTIONS FOR FUTURE REFERENCE.

This appliance is intended for household use only.

ABOUT THE PRODUCT:

This Smart Pet Water Fountain is the perfect solution for cats and dogs up to medium size who prefer to drink flowing, filtered water.

Furry friends deserve the best quality of life. Still water can get dirty and unfiltered water can make pets ill over time. This filtered drinking fountain has a replaceable activated carbon filter that filters out debris, removes odours and keeps water fresh and clean, all while keeping your pets happy and healthy. We recommend changing the activated carbon filters monthly, and the filter replacement indicator light will help alert you in case you forget. This drinking fountain is pre-packaged with one activated carbon filter. Additional 3-pack replacement activated carbon filters are also available for purchase.

Featuring two modes, smart and standard, this water fountain allows you to choose how to provide flowing water to your pet. Smart mode uses an innovative infrared sensor that detects pets one metre away from the fountain and at a 90° detection angle. The smart fountain will then start the water flow so your pet can enjoy the flowing, filtered water. Standard mode runs on continuous water flow. The front indicator light lets you know which mode the fountain is on based on the colour of the light.

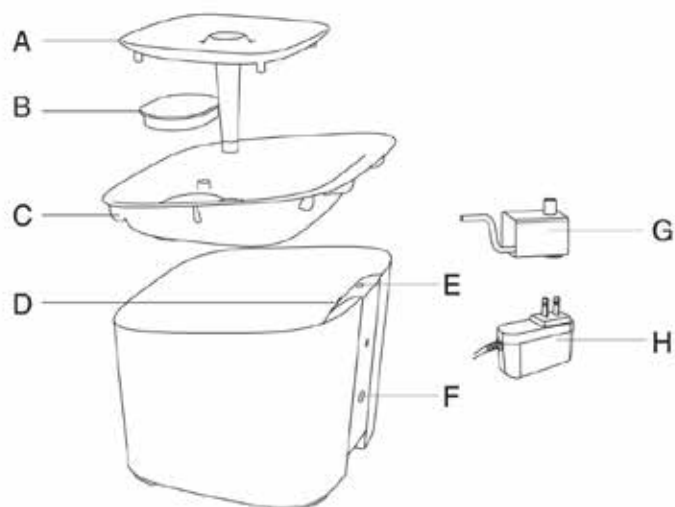
This drinking fountain holds a maximum of three litres of water. Enjoy the ease of mind with the water shortage protection where the fountain will stop running when water levels go low. With quiet operation water flowing noise levels below 40dB and safe ABS + PC construction materials, this Smart Pet Water Fountain is the perfect choice for cats and dogs of medium size.

SAFETY AND WARNINGS:

- Only suitable for indoor use.
- Do not add anything other than water into the water fountain.
- Please shield or organise the power cord well to prevent the pet from biting the cord. Failure to do so could cause serious harm or even death.
- Do not disassemble or modify the water fountain.
- To protect against electric shock, do not immerse power adaptor or water fountain into water or other liquid.
- Close supervision is necessary when any appliance is used by or near children.
- Do not operate the water fountain with a damaged power adaptor or if the appliance has been damaged in any manner.
- The use of other accessory attachments is not recommended as it may damage the appliance or cause injury to other users.
- Do not use the appliance outdoors.
- Do not let the cord hang over the edge of a table or counter or touch hot surfaces.
- Do not place on or near a hot gas or electric burner or in a heated oven.
- Do not use the appliance for other than intended use.
- This appliance is not intended for use by persons (including children) with reduced physical, sensory or mental capabilities or lack of experience and knowledge, unless they have been given supervision or instructions concerning use of the appliance by a person responsible for their safety.
- Children should be supervised to ensure that they do not play with the appliance.
- If the supply cord is damaged, it must be replaced by the manufacturer, its service agent or similar qualified persons in order to avoid a hazard.

PARTS:

- A. Fountain head
- B. Filter
- C. Tray
- D. Sensor
- E. Led INDICATOR LIGHT
- F. Power/function button
(on the rear of the unit)
- G. Water pump
- H. Power adaptor



FILTER INSTALLATION STEPS:

BEFORE USE:

The filter needs to be soaked in water for 25 – 30 minutes.

It is recommended to replace the filter every 20 – 30 days.

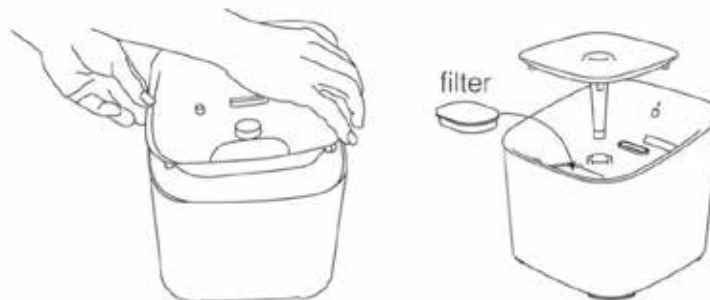
When the filter needs replacing, the indicator light will be flashing blue.

After the filter has been replaced, press and hold on the power/function button to re-set the unit.

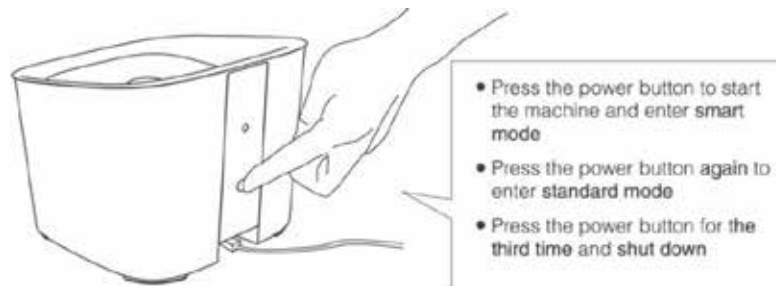
1. Remove the tape from the inside on the bottom of the dispenser, then add water to the drinking fountain.



2. Put the lid on.



3. Plug it in and press the power/function button to start.



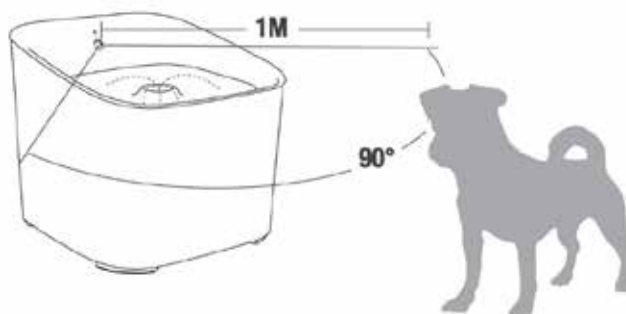
USAGE INSTRUCTION:

1. SMART MODE:

Press the power/function button.

The smart mode indicator will be purple.

The fountain dispenses water when the pets are detected by infrared sensor within 1 meter and 90-degree angle. If no pets or human is detected it will cease operation after 1 minute.

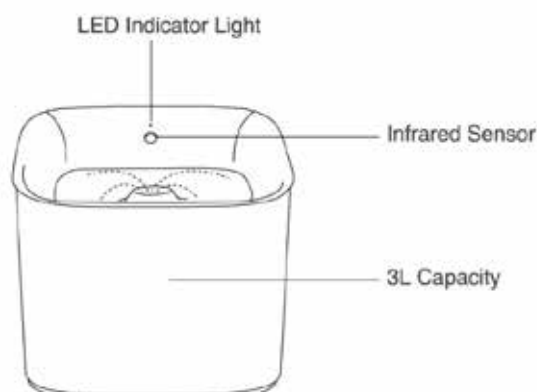


2. STANDARD MODE:

Press the power/function button again.

The standard mode indicator will be blue.

Water flow will be continual.



LED INDICATOR LIGHT:

MODE	LED COLOUR
Smart mode	Purple LED
Standard mode	Blue LED
State of dormancy	Purple LED flashing
Water shortage	Red LED flashing
Filter replacement required	Blue LED flashing

LENOXX

www.lenoxx.com.au

 1300 666 848

 LenoxxElectronics

 LenoxxElectronics

 @LenoxxAustralia