

LENOXX

**CHILDREN'S RIDE-ON QUAD,
6V, BATTERY OPERATED**



Model: 90403B / 90403R

Batch no: PR4396

PLEASE READ AND RETAIN INSTRUCTIONS FOR FUTURE REFERENCE.

The illustrations used in the manual are to illustrate the operation method and structure of the product. Where there is a small difference between the physical item and the illustrations, please take the physical as the standard.

SPECIFICATIONS OF THE RIDE-ON:

Age range: 18 – 36 months

Max speed: 3 km/h

Measurements: 67cm x 40.50cm x 46cm

Battery: Sealed and dry, 6V 4.5AH

Charging time: 8 – 10 hours

Run time: 1 – 2 hours

Loading capacity: 20kg

Fuse: 2A

WARNING:

Keep small parts and packaging out of reach of children.

Adult supervision is required. Do not drive anywhere dangerous including slopes with more than 10 degrees, streets, next to bodies of water and away from other obstacles. The driver must sit on the seat to drive. Read the instruction manual and acknowledge it before use.

1. Adult supervision required
2. Read the instruction manual and instruct the child user
3. The weight limit is 20kg
4. Only one rider to use at the one time
5. Please wear a bike helmet when riding
6. Sit straight on the seat when riding
7. Ride only on flat surfaces
8. Ride away from other vehicles and bodies of water
9. Recharge the batteries out of reach of children
10. Do not charge the battery for more than 12 hours
11. Wear shoes when riding
12. Only use a power adaptor and battery by the manufacturer's advice

1. SAFETY:

PREVENT INJURIES AND DEATHS: NEVER LEAVE CHILD UNATTENDED. DIRECT ADULT SUPERVISION IS REQUIRED.

Please instruct the child on the correct way to drive the ride-on.

Make sure your child knows how to steer, how to start and stop the vehicle and knows the rules for safe driving.

Please keep in mind the condition of the area they are riding in and the child's driving ability.

Designed for use by children between the ages of 18 – 36 months, weighing less than 20kg. This is advisable to avoid damage to the motor, gears and to prohibit overloading.

Do not let children ride in the street, anywhere dangerous including slopes with more than 10 degrees, streets, next to bodies of water and away from other obstacles. Use during day light hours or in an illuminated area is advised to avoid accidents in the dark.

When the ride-on is running, do not place anything on the moving parts such as the motor, gear box, wheels or steering wheel.

Do not drive on long or wet grass, mud, soft ground, gravel or sand.

Do not drive near anything flammable or explosive. Keep any hazardous chemicals out of the driver's reach.

The vehicle can be driven at a maximum of 3km/h.

Always keep child in view when child is using the ride-on.

This toy should be used with caution since skill is required to avoid falls or collisions causing injury to the user or third parties.

Protective equipment should be worn.

Never use in roadways, near cars, on or near steep inclines or steps, swimming pools or other bodies of water.


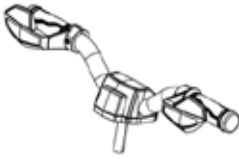



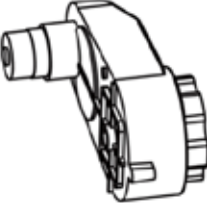


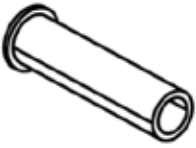





Always wear shoes.

Always sit on the seat.

Not to be used in traffic.

This ride-on has no brake.

2. PARTS DIAGRAM:

Parts Diagram			
			
1.body	2.handlerbar	3.Bumper	4.front wheel X3
			
5.A rear axle	6.motor	7.rear wheel X1	8.Steering shaft
			
9.Axle sleeve x1	10.charger		
Number of screw packs			
1 	2 	3 	4 
1.10MM GASKET X8		3.M8 CHECK BACK NUT X4	
2.4X10 SCREW X4		4.M10 CHECK BACK NUT X1	

Remove the screw holding the seat down and then take the seat off the body.

* Take the gear box out of the compartment and keep it aside. *



3. ASSEMBLY:

Before you begin:

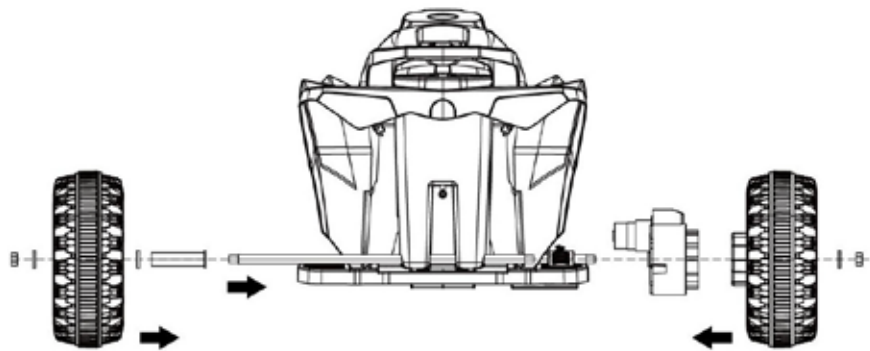
Warning:

KEEP THIS GUIDE FOR FUTURE REFERENCE. ADULT ASSEMBLY REQUIRED.

The product contains small parts, which are for adult assembly only.

Keep children away when assembling.

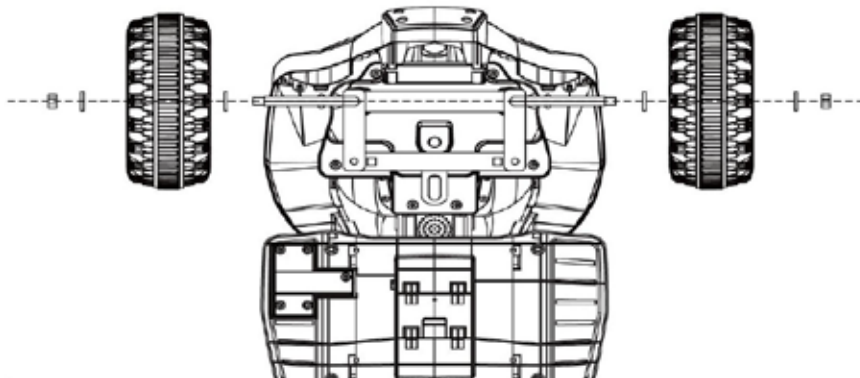
- Always remove protective material and poly bags and dispose before assembly.
- Make sure that the power switch is turned "OFF" before assembling the ride-on.
- Before first time use, charge the battery for at least 8 to 10 hours.
- Assembly tools required: screwdriver (not included).



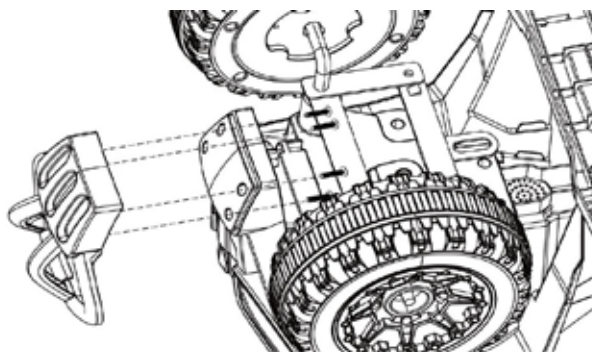
1. Insert the rear axis.

Add the gear box (motor) to the rear right hand side. Ensure the wires coming off the gear box are put into the hole on the body of the ride on.

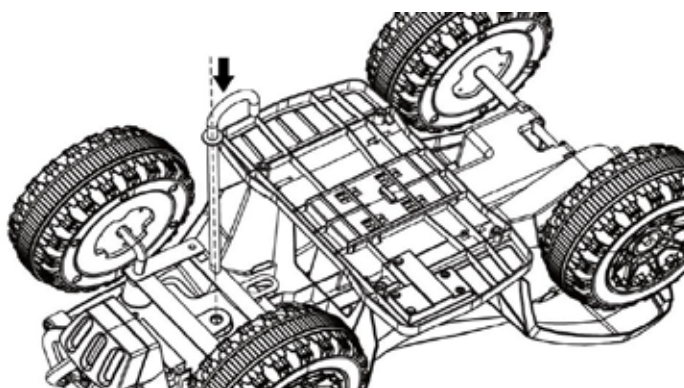
Add the axle sleeve, wheels, gaskets and nuts as per the diagram above.



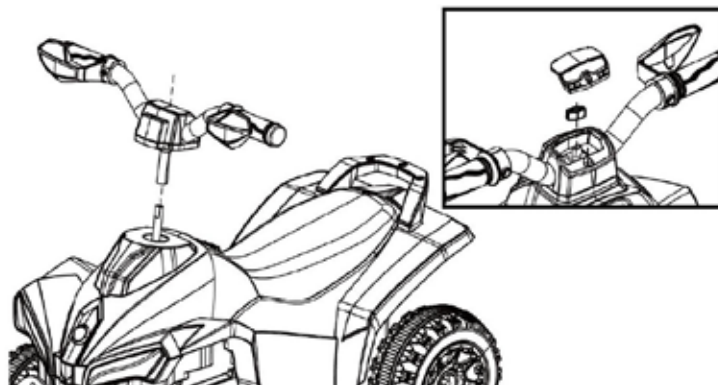
2. Add the front wheels, gaskets and nuts as per the diagram above to the front of the ride on.



3. Add the front bumper. Use 4 x "4 X 10" screws and a screwdriver (not included).



4. Turn the ride on bottom up.
Insert the steering shaft.

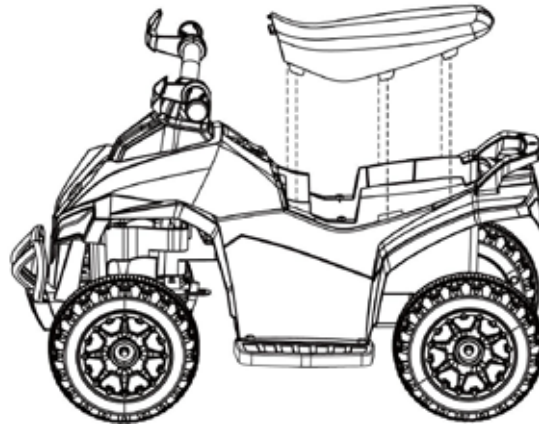


5. Remove the cover from the center of the handlebar cluster, it is the part with the tachometer stickers on it. Use a flat head screwdriver (not included) to assist with removing the part from the bottom of the cover.
6. Insert the handlebar into the top of the steering shaft.
Secure with 1 x M10 nut.
Add the cover back into place.

4. CONNECTING THE BATTERY AND GEARBOX MOTOR:

The battery and gearbox motor connection are located under the seat.

To access, remove the screw holding the seat down and then take the seat off the body.

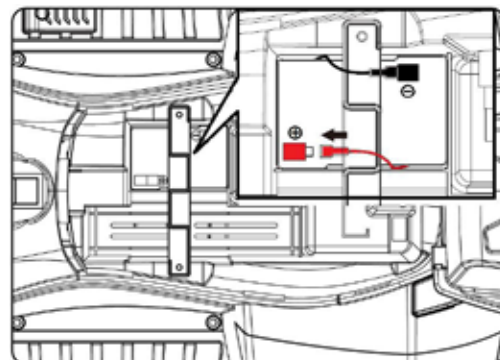
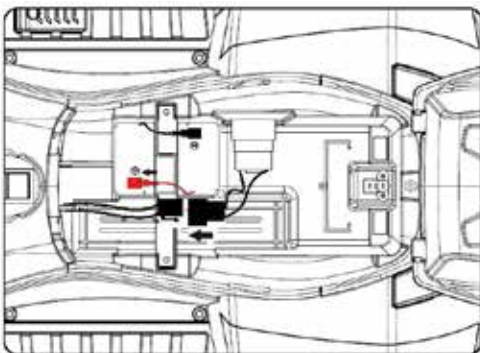


Connect the large connector underneath the seat to the corresponding connector from the gearbox motor.

Plug the red connector onto the red terminal of the battery.

Plug the black connector onto the black terminal of the battery.

If the battery is not connected and you charge the ride-on, the battery will not be charging.



Place the seat back onto the ride on.

Secure the seat using the screw and a screwdriver (not included).

5. CHARGING THE BATTERY:

The forward/reverse switch must not be on either mode when charging.

Charging time is 8 – 10 hours. The first hour of charging can get back 60% of the battery's energy back. You may leave it to charge overnight, but NEVER continuously over 20 Hours. Otherwise, you will shorten the batteries life.

It is normal for the battery to be warm when charging.

The ride-on must be charged prior to its first use.

Working AC voltage is 220V (or 110V) (+/-10%).



Insert the plug of the charger into the charging socket which is on the main body of the ride-on its rear.

Connect the charger to the ride-on first, and then connect the plug to power. Please note, the ride-on cannot be driven when charging.

Do not insert any metal pieces into the charging hole as to avoid short circuiting and any damage to the electro circuit.

This ride-on has a function of charging protection and while it is being charged, other functions cannot be used.

The charger needs to be removed from the charging socket before it is used.

Once the charger is removed, put the ride-on into either forwards or reverse mode, then press on the red acceleration button which is on the handlebars.

This ride-on also has a function of overload protection. If the ride-on is overloaded or operated incorrectly, the overload preventer will cut off automatically. It will connect automatically in 20 minutes.

6. OPERATION:



1. **Forward/reverse switch:**

Changes the direction that vehicle moves from forward to reverse.

- To move the ride-on forward, put the switch to the “forward” position.
- To move the ride-on backward, put the switch to “reverse” position.

2. **Foot pedal:**

Applies power (speed) to the vehicle.

- To move the ride-on, press the foot pedal down.
- To brake or slow down, release the foot pedal.

3. **Music button:**

An option to have musical tunes playing.

Press the music button for musical tones to be played.

7. MAINTENANCE AND TROUBLE SHOOTING:

Factors which may influence the ride-on's performance and life span:

- How flat the driving surface is
- The weight of the driver
- Whether the battery has been fully charged
- Whether the ride-on is regularly used
- Whether water or any other liquid has eroded the electrical components

It is parents' responsibility to check main parts of the toy before using, regularly examine the ride-on for potential hazard, such as the battery, charger or wires, plug, screws are fastening enclosure of other parts and that in the event of such damage, the toy must not be used until that damage had been properly removed.

- Make sure the plastic parts of the vehicle are not cracked or broken.
- Occasionally use a lightweight oil to lubricate moving parts such as wheels.
- Park the vehicle indoors or cover it with a tarp to protect it from wet weather.
- Keep the vehicle away from sources of heat, such as stoves and heaters. Plastic parts may melt.
- Recharge the battery after each use. Only an adult can handle the battery.

Recharge the battery at least once a month when the ride-on is not being used.

- Do not wash the vehicle with a hose. Do not wash the vehicle with soap and water. Do not drive the vehicle in rainy or snowy weather. Water will damage the motor, electric system and battery.
- Clean the vehicle with a soft, dry cloth. To restore shine to plastic parts, use a non-wax furniture polish. Do not use car wax. Do not use abrasive cleaners.
- Do not drive the vehicle in loose dirt, sand or fine gravel which could damage the moving parts, motors or the electric system.
- When not using, all the electrical sources should be turn off. Turn off the power switch and disconnect the battery connection.

Storage:

Do not store the ride-on in an area of high temperature, humidity or near flames. When raining or snowing, keep the ride-on under cover and out of the weather.

TROUBLESHOOTING:

Problem	Possible Cause	Solution
Ride-on does not run	Battery low on power	Recharge battery.
	Thermal fuse has tripped	Wait 20 minutes for the fuse to reset
	Battery connector or wires are loose	Check that the battery connectors are firmly plugged into each other. If wires are loose around the motor contact your distributor.
	Battery is dead	Replace battery, contact your distributor.
	Electrical system is damaged	Contact your distributor.
	Motor is damaged	Contact your distributor.
Vehicle does not run very long	Battery is under charged	Check that the battery connectors are firmly plugged into each other when recharging
	Battery is old	Replace battery, contact your distributor.
Vehicle runs sluggishly	Battery low on power	Replace battery, contact your distributor.
	Battery is old	Replace battery, contact your distributor.
	Vehicle is overload	Reduce weight on vehicle. Maximum user weight is 25 kgs.
	Vehicle is being used in harsh conditions	Avoid using vehicle in harsh conditions
Vehicle needs a push to go forward	Poor contact of wires or connectors	Check that the battery connectors are firmly plugged into each other. If wires are loose around the motor, contact your distributor.
	“Dead Spot” on motor	A dead spot means the electric power is not being delivered to the terminal connection and the vehicle needs repair. Contact your distributor.
Difficult shifting from forward to reverse or vice-versa	Attempting to shift while the ride-on is in motion	Completely stop the ride-on then and shift to forward or reverse.
Loud grinding or clicking noises coming from motor or gear box	Motor or gears are damaged	Contact your distributor.
Battery will not recharge	Battery connector or adapter connector is loose	Check that the battery connectors are firmly plugged into each other.
	Charger not plugged in	Check that the battery charger is plugged into a working wall outlet.
	Charger is not working	Contact your distributor.
Charger feels warm when recharging	This is normal and not a cause for concern	

Further information on the battery:

Do not change the batteries setting, as it can cause fire and damage the electrical circuit system.

Do not change the ride-on's electrical circuit system. Any repairs done to this unit must be carried out by authorised and qualified service personnel.

Do not allow children to charge the motor ride-on, play with the battery or motor.

If the ride-on will not be used for a long period of time (3 months or longer), it is advised that you fully charge the battery and disconnect it from the connections.

A long period of non-use will damage the battery. It is advised that the battery should be charged once a month, even if the ride-on is not being used.

A new battery must be fully charged before its first use.

Please take care with the battery as it contains acid electrolyte. Handling of the battery by adults only.

If the battery has leaked, do not touch the acid. Place the battery into a polybag and dispose of it.

If the electrolyte splashes on your skin or into your eyes, immediately wash with water for at least 15 minutes and consult your doctor.

Do not contact the batteries two terminals with any other metal objects. It will cause short circuiting, damage or fire.

Adjust the f/r switch to on and press the siren button to check for power. If you hear no music, check that the battery has been joined up correctly. Correct if required.

Never push or pull the ride-on backward when it is running.

Do not plug the charger into any non-working or faulty wall socket. This could cause short circuiting or fire.

In the circumstance of unstable voltage, we suggest that you equip a regulator.

Battery replacement and disposal:

The battery will eventually lose the ability to hold a charge. Depending on the amount of use, and varying conditions, the battery should operate for one to three years. Follow these steps to replace and dispose the battery:

1. Remove the seat.
2. Disconnect the battery connectors.
3. Remove the battery bracket.
4. Remove the battery cover.
5. Carefully lift the battery.



- Depending on the condition of the battery (i.e.: leakage) you may want to wear protective gloves before removal.

- Do not lift the battery by its connectors or cables.

6. Place the dead battery in a plastic bag.

Important! Recycle the dead battery responsibly. The battery contains lead acid (electrolyte) and must be disposed of properly and legally. It is illegal in most areas to incinerate lead acid batteries or dispose of them in landfills. Take it to a federal or state-approved lead acid battery recycler, such as local automotive battery retailer. Do not throw the battery away with your regular household waste!

7. Replace the battery and reconnect the connectors.

8. Replace the seat.

LENOXX

www.lenoxx.com.au

 1300 666 848

 LenoxxElectronics

 LenoxxElectronics

 @LenoxxAustralia