

LENOXX

BTD300

**Bluetooth® 300 WATT
ENTERTAINMENT SYSTEM**

**NEW
DUAL SYSTEM**

- BLUETOOTH x2
- FM STEREO x2
- MICROPHONE INPUTS x2
- VOLUME DIALS x2
- USB PORTS x2
- SD SLOTS x2



Lenoxx Electronics Aust Pty Ltd
www.lenoxx.com.au
Customer Service: 1300666848



CAUTION
RISK OF ELECTRIC SHOCK
DO NOT OPEN



The lightning flash with the arrowhead symbol within an equilateral triangle is intended to alert the user to the presence of "uninsulated dangerous voltage" within the product's enclosure that may be of sufficient magnitude to constitute a risk of electric shock to a person.

The exclamation point within an equilateral triangle is intended to alert the user to the presence of important operating and maintenance (servicing) instructions in the literature accompanying the unit.

Safety Precautions

Warning: To prevent fire or electric shock, do not expose this appliance to rain or moisture.

IMPORTANT SAFEGUARDS

Caution: Please carefully read all of the following important safeguards to ensure safe operation.

1. Read Instructions:

All the safety and operating instructions should be read before the appliance is operated.

2. Retain Instructions:

The safety and operating instructions should be retained for future reference.

3. Follow Instructions:

All operating instructions should be followed.

4. Heed Warnings:

All warnings on the unit and the operating instructions should be adhered to.

5. Power Source:

The appliance should be connected based on instructions.

6. Heat:

Keep the unit away from heat sources such as radiators, refrigerators, stoves or other appliances that may radiate heat.

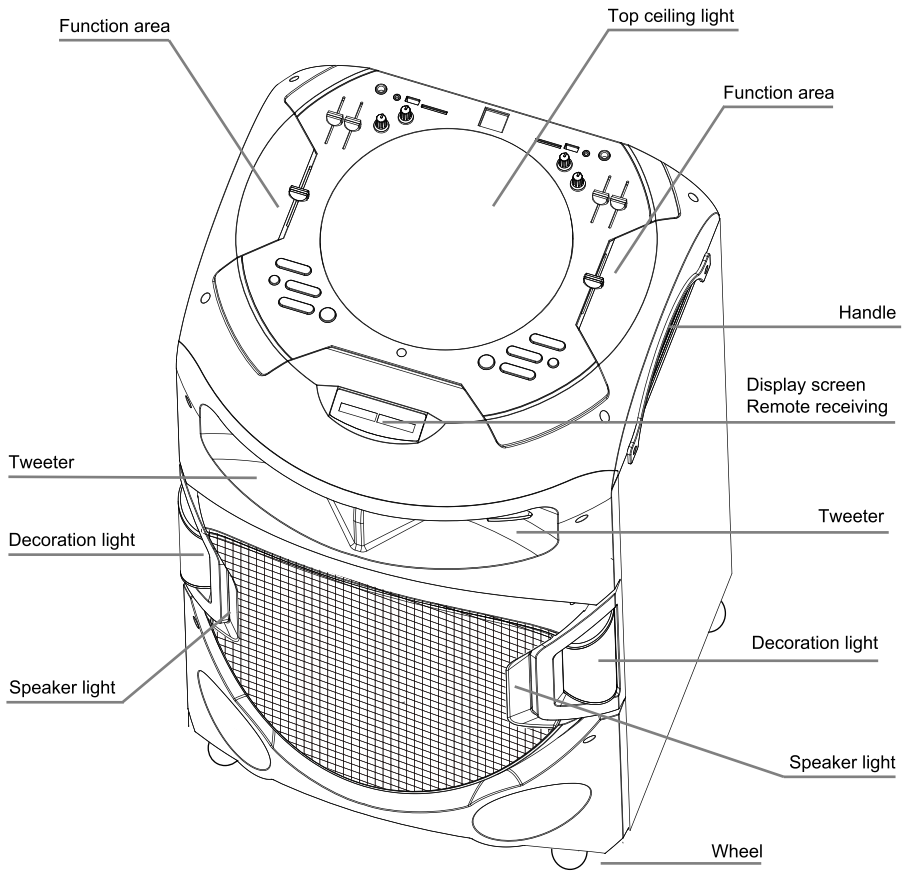
7. Non-use Periods:

The power cord of the unit should be unplugged from the outlet when you do not use it for a long time.

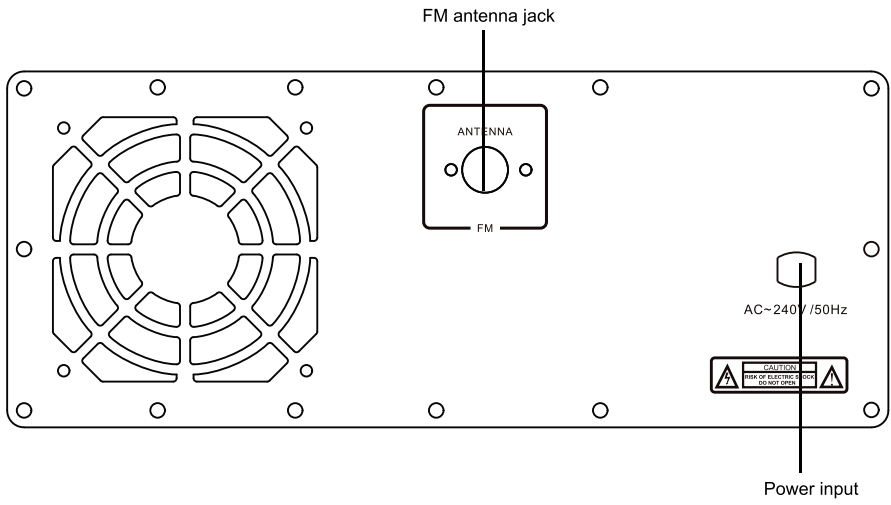
8. Damage requiring service:

The unit should be repaired by qualified service personnel in the following cases:

- The power plug or cable has been damaged;
- Objects have fallen or liquid has been spilled on the appliance;
- The appliance has been exposed to rain;
- The appliance is functioning abnormally.



CONNECTIONS



Accessories



REMOTE CONTROL



INSTRUCTION MANUAL



FM ANTENNA



AUDIO CABLE



REMOTE CONTROL BATTERY

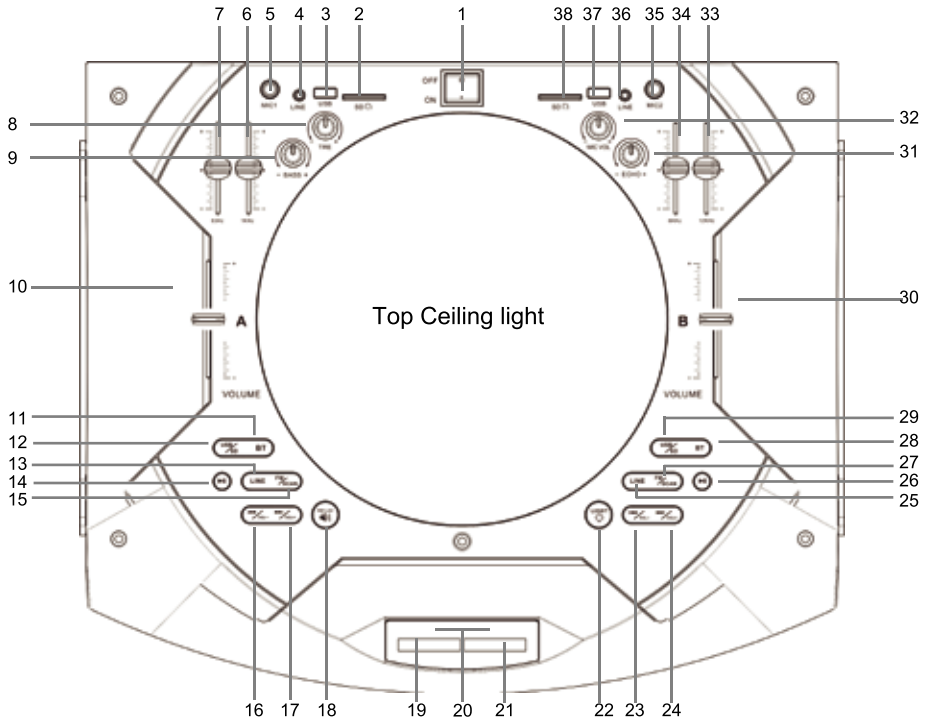


WARRANTY CARD



Customer Card

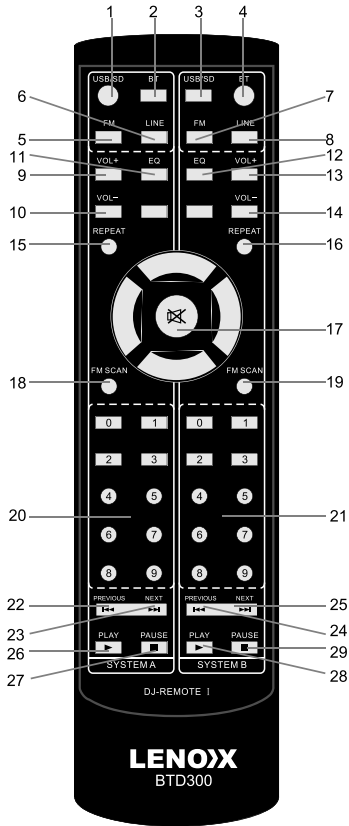
FRONT PANEL-CONTROLS AND FUNCTIONS



1. Power ON/OFF
2. A System SD card input slot
3. A System USB input slot
4. A System Line input slot
5. Microphone 1 input slot
6. 1KHz Equalizer
7. 63Hz Equalizer
8. Treble increase/decrease
9. BASS increase/decrease
10. A System Volume control
11. A System BT input key
(BT searching name: BTD300 lenoxx A)
12. A System USB/SD card input key
13. A System Line input key
14. A System Play/Pause key
15. A System FM input key
/long press for FM auto scan
16. A System Previous key,
long press for volume decrease
17. A System next key,
long press for volume increase
18. Mute of whole unit
19. A System LED display

20. Remote control receiver
21. B System LED display
22. LED switch ON/OFF:
Unit power is ON, aLL lights ON
1st press: Top Ceiling light OFF / Speaker Light & Decoration LED ON
2nd press: Top Ceiling light ON / Speaker Light & Decoration LED OFF
3rd Press: All Lights OFF
4th Press: All Lights ON
Rotate Operation
23. B System Previous key, long press for volume decrease
24. B System next key, long press for volume increase
25. B System Line input slot
26. B System Play/Pause key
27. B System FM input key
/long press for FM auto scan
28. B System BT input key
(BT searching name: BTD300 lenoxx B)
29. B System USB/SD card input key
30. B System Volume control
31. ECHO increase/decrease
32. Microphone Volume increase/decrease
33. 12KHz Equalizer
34. 6KHz Equalizer
35. Microphone 2 input slot
36. B System Line input slot
37. B System USB input slot
38. B System SD card input slot

REMOTE INSTRUCTION



1. A System USB/SD card input button
2. A System BT input button
3. B System USB/SD card input button
4. B System BT input button
5. A System FM input button
6. A System LINE input button
7. B System FM input button
8. B System LINE input button
9. A System volume increase
10. A System volume decrease
11. A System Equalizer
12. B System Equalizer
13. B System volume increase
14. B System volume decrease
15. A System play again
16. B System play again
17. Mute volume
18. A System auto scan for channels
19. B System auto scan for channels
20. A System USB/SD card song select
21. B System USB/SD card song select
22. A System previous song
23. A System next song
24. B System previous song
25. B System next song
26. A System play
27. A System Pause
28. B System play
29. B System Pause

HOW TO USE BLUETOOTH CONNECTION

Dual Bluetooth Speaker



SYSTEM A

SYSTEM B

2 ways to enter or restart BT function

1. Press the "BT" input button on remote control system A
2. Press the "BT" button on top control panel system A

Speaker is in "Bluetooth" mode

Auto search and connect

Speaker will enter auto search; it will search for the last connected device.

Auto connect to the connected device

The unit will automatically connect to the last connected device that Bluetooth is open with in 20 metres in few seconds.

(Note: If device cannot be connected automatically, press the buttons "PLAY/PAUSE", "PREVIOUS", "NEXT" to activate Bluetooth and re-connect the device.)

When speaker cannot find the last connected device

Speaker can be connected with new device

Use the new device search and connect to "BTD300 lenoxx A"

Successful Connection

The BT connection is completed.



2 ways to enter or restart BT function

1. Press the "BT" input button on remote control system B
2. Press the "BT" button on top control panel system B

Speaker is in "Bluetooth" mode

Auto search and connect

Speaker will enter auto search; it will search for the last connected device.

Auto connect to the connected device

The unit will automatically connect to the last connected device that Bluetooth is open with in 20 metres in few seconds.

(Note: If device cannot be connected automatically, press the buttons "PLAY/PAUSE", "PREVIOUS", "NEXT" to activate Bluetooth and re-connect the device.)

When speaker cannot find the last connected device

Speaker can be connected with new device

Use the new device search and connect to "BTD300 lenoxx B"

Successful Connection

The BT connection is completed.



PRODUCT OVERVIEW



1-2: Two Handles

3-4: Two tweeters

5: 15 inch woofer with disco light

6-7: Two air outlets for exhaust, please do not cover.

8-11: Four wheels. the two wheels in front can be locked by pressing down the switch on wheels

Lenox Electronics (Aust) Pty Ltd
6 Oban Court Laverton North 3026
Tel: + 61 3 9267 2100 – Fax: + 61 3 9267 2199
Email Address: lenoxx@lenoxx.com.au
Web site: www.lenoxx.com.au