

magivaac™
RV2000

3-in-1 HEPA Robot Vacuum with Mop

sweeps • mops • vacuums



Model: RV2000
Batch: PR4362

PLEASE READ AND RETAIN THESE INSTRUCTIONS FOR FUTURE REFERENCE.

THIS APPLIANCE IS INTENDED FOR HOUSEHOLD USE ONLY.

The illustrations used in this manual are to illustrate the operation method and structure of the product. Where there is a small difference between the physical item and the illustrations, please take the physical as the standard.

INTRODUCTION:

Clean-up is both effortless and easy with this high powered 3-in-1 HEPA Robot Vacuum with Mop. Call out to your Amazon Alexa or Google Home or push a button on the downloadable smartphone app or included remote control to power up and get started.

Enjoy 2kPa 3-speed suction power alongside with dual side vacuum brushes and a central operational vacuum brush to get the ultimate clean on both carpets and hard floors. This intelligent robo-vac uses gyroscope navigation and mapping to provide four easy route types – room, spot, auto and edges cleaning. The room route is for single room cleaning, the spot route cleans a specified one-square meter area, the auto route uses a zig zag motion to run over the area once and the edges route runs around the edges and parameters of the area once.

The powerful, rechargeable 14.4V 2500mAh lithium battery charges within 4-5 hours and runs on an average time of 90-140 minutes per use. With a 600mL dustbin capacity and a 350mL water tank capacity attachment, this 3-in-1 smart vac will auto detect the attachment and sweep, mop or vacuum – all available in the four pre-programmed route modes. Enjoy an extra spare vacuum brush set and an extra spare mop included in the box, so a thorough clean is available at just the simple swap of an accessory.

The quiet operation runs less than 65dB while packing in an array of smart infrared sensors including five pairs of obstacle detection sensors, anti-collision sensors, stairway-safe anti-fall sensors and soft cushion bumpers. The brushless motor and wheels provide lower noise levels, durability, stability, as well as a longer run-time and lifetime.

Take it up a level with a range of extra benefits and controls through the downloadable smartphone app including power, standby, room route, spot route, auto route, edges route, manual controls, directional keys, scheduling programmability and an auto-return recharge to the charging dock base when low on battery power.

Enjoy a 15° climbing angle to get onto area carpets up to 1.5-centimetres with a stronger drive force, so no areas of the floor are left out. Have an ease of mind with an upgraded charging dock base for improved detection accuracy.

The built-in removable HEPA filter captures the smallest particles of dust to help calm those with asthma and allergies. Compared to a traditional vacuum that leaves a decent percentage of dust particles behind, this is a crucial reason to upgrade to the robot vacuum cleaner.


Emptying the bagless dustbin is also simple and straightforward. Lift the dustbin straight out of the top of the robot vacuum and empty the dust contents into the bin – it's that easy.

When the HEPA filter needs a cleaning, just wash and air dry it overnight. No need to purchase an endless supply of vacuum bags.

Complete with a missed-area cleaning inspection, this 3-in-1 HEPA Robot Vacuum with Mop is efficient and affordable for both homes and offices.

SAEFTY INSTRUCTIONS:

1. Only authorized technicians can disassemble this product. Users are not recommended to disassemble this product by themselves.
2. This product can only use the power adapter provided by the factory. If other adapters are used, the product may cause damage.
3. Do not touch wires, sockets or power adapters when your hands are wet.
4. Take care to prevent fabric or body parts from coming into contact with the product's drive wheels.
5. Do not place this product near cigarette butts, lighters and other smoldering fires.
6. Please clean the product after charging.
7. Do not bend wires excessively or place heavy objects and sharp objects on the machine.
8. This product is an indoor household product. Do not use it outdoors.
9. Do not sit on the product.
10. Do not use this product in a wet environment (e.g. bathroom).
11. Before using this product, please remove all vulnerable items (e.g. glasses, lamps, etc.) from the ground as well as items (e.g. wires, paper sheets, curtains) that may get stuck in the side brushes and air suction passages.
12. Do not put this product in a place where it is easy to fall (e.g. on desks and chairs).
13. Please carefully check whether the power adapter is connected to the socket before using it, otherwise it may cause battery damage.
14. To prevent tripping, please inform other people in the house when the product is working.
15. Please empty the dust container before using this product when the dust container is full.
16. The temperature for this product to be used in is 0 to 40 degrees Celsius.
17. Do not use this product in high temperature environment.
18. Please remove the battery from the machine before disposing of this machine.
19. Please make sure that this product is not powered on when removing the battery.
20. Please recycle the discarded batteries safely.

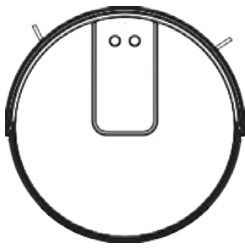
 Warning:

1. Use only the original rechargeable battery and charging dock specially equipped by the manufacturer. Non-rechargeable batteries are strictly prohibited, please refer to "product parameters" for battery specification information.
2. Do not use product in an environment with open flames or fragile objects.
3. Do not use product in extremely hot (above 40 Degrees Celsius) or extremely cold (below 0 Degrees Celsius) environments.
4. Do not allow human hair, clothes, fingers and other parts to come into contact with the opening and operating parts of the product.
5. Do not use product on wet or ponding ground.
6. Do not allow product to collect any items such as stones and wastepaper, this may clog the product.
7. Do not allow product to collect any inflammable substances, such as petrol, toner and pastels used for printers or photocopies. Do not use the product to clean areas with flammable items.
8. Do not allow product to collect any burning items, such as cigarettes, matches, ashes and other articles that may cause fire.
9. Do not place articles at the suction opening. Do not use the product when the suction port is blocked. Use a small item such as dust, cotton wool, hair, etc. at the suction opening to check that the suction air flow is working.
10. Use the power cord carefully to avoid damage. Do not use the power cord to drag or pull the product and the product charging dock. Do not use the power cord as a handle. Do not clamp the power cord in the crack of the door. Do not pull the power cord around corners. Do not allow the product to operate on the power cord, the power cord should be far away from the heat source.
11. Do not use a damaged charging dock.
12. Even if the product has been severely damaged, burning of the product is prohibited, this may lead to the explosion of the battery of the product.

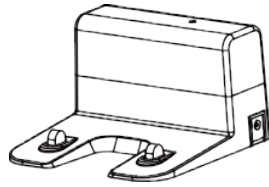
CONTENTS:

Introduction	1
Safety Instructions	2
Warnings	3
Contents	4
Product Composition/ Package Contents	5
Product Composition/ Part Name	6
Remote Control	9
Light Indications	10
Installation of App	11
Quick Guide for App Use	15
Product Usage/ Preparation	18
Product Use/ Robot Charging	20
Product Use: Using the Water Tank	22
Component Maintenance/ Dust Container	23
Component Maintenance/ Main Brush and Side Brush	26
Component Maintenance/ Charge Dock Pins, Down View Sensor, Wheel and Universal Wheel	27
Troubleshooting	28
Specifications	29

PRODUCT COMPOSITION/ PACKAGE CONTENTS:



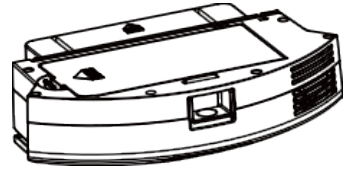
Robot



Charging dock



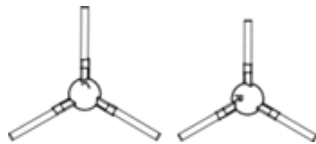
Remote Control



Dust Container



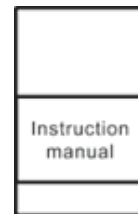
Cleaning Brush



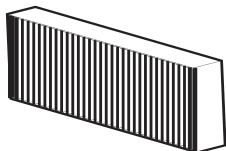
Side Brush x 2



Adaptor



Instruction manual



Hepa Filter



Water Tank

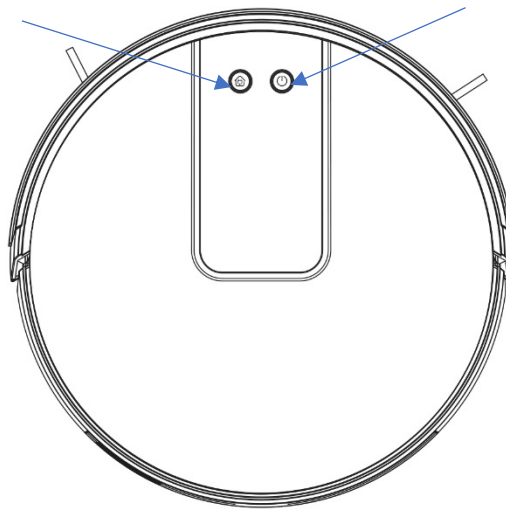


Mopping Pad

PRODUCT COMPOSITION/ PART NAME:

Home button

Power button



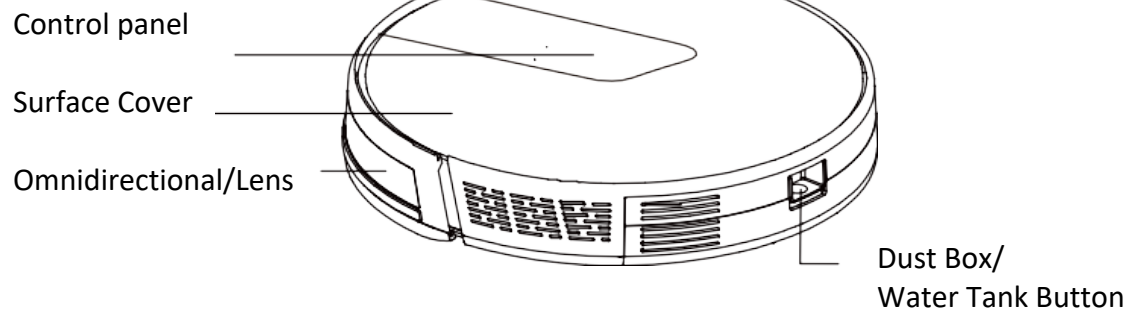
Power button: Press to turn the robot on or off. Push and hold it for 1 x second. When it is powered on and the green light is on, press the power button again to begin operation. During operation, press the power button for 1 x second to stop operation. The power button can be pressed once to pause operation. Then press it again to resume operation.

If both the power button and the home button are flashing red, press and hold down the power button for 4 x seconds until both lights stop blinking. If the robot is caught in an obstacle, resolve the issue. Then press the power button once to turn the robot on again and begin operation.

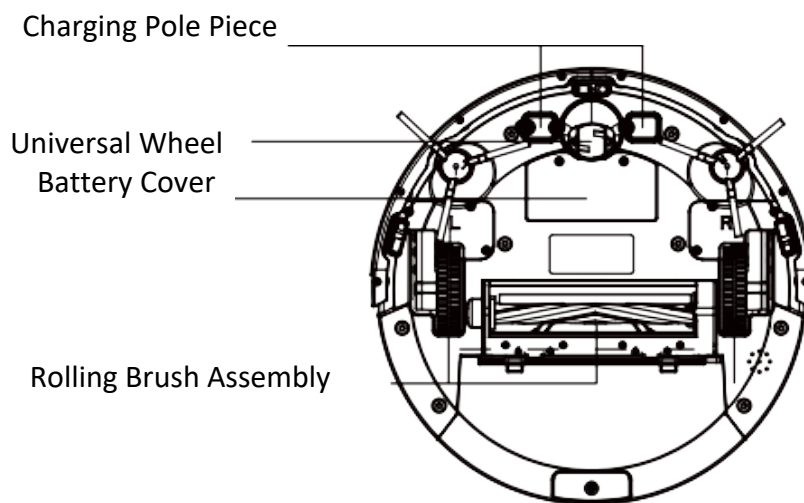
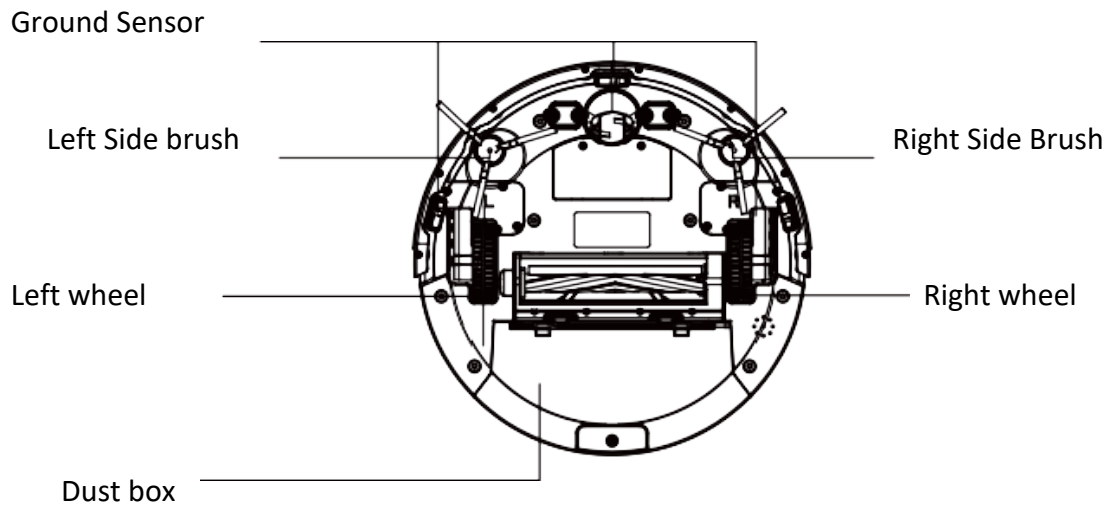
Home button: Press to return the robot back to the charging base while the robot is operating. The robot will make its way back to the charge base slowly. It may not go straight to the charge base but will navigate its way back there. The robot is not vacuuming during this process.

The home button can also be used during Wi-Fi pairing, press and hold it down until the robot beeps once or twice. Further info is in the EZ pairing and AP pairing sections.

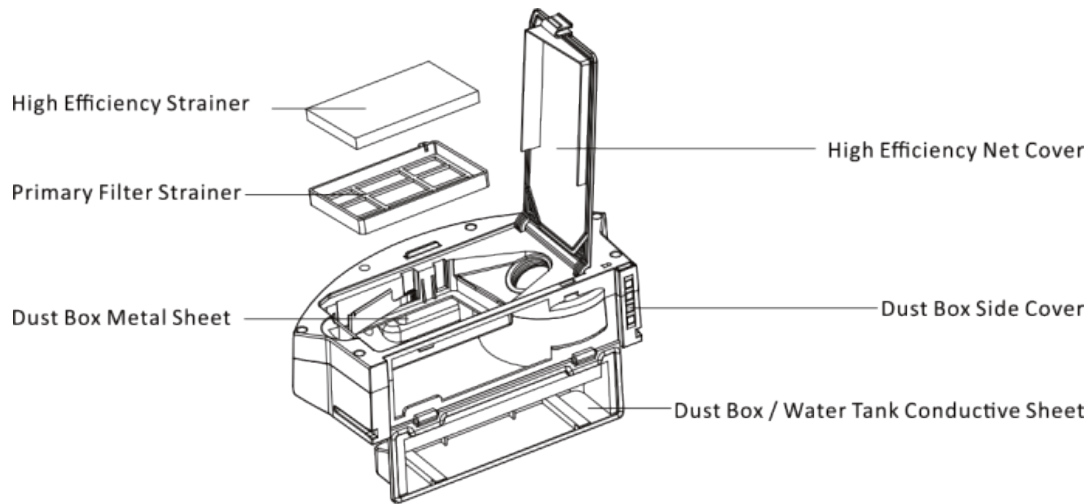
Top:



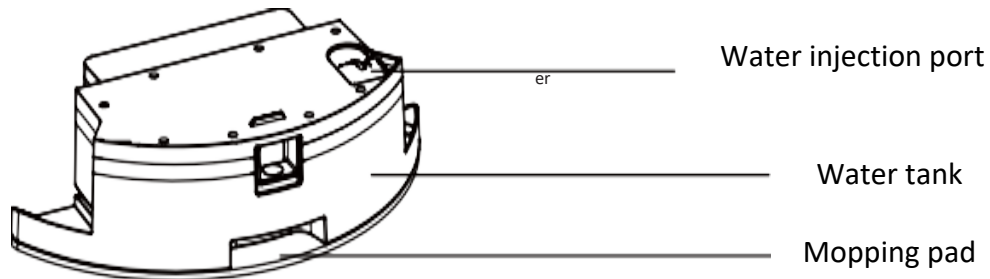
Bottom:



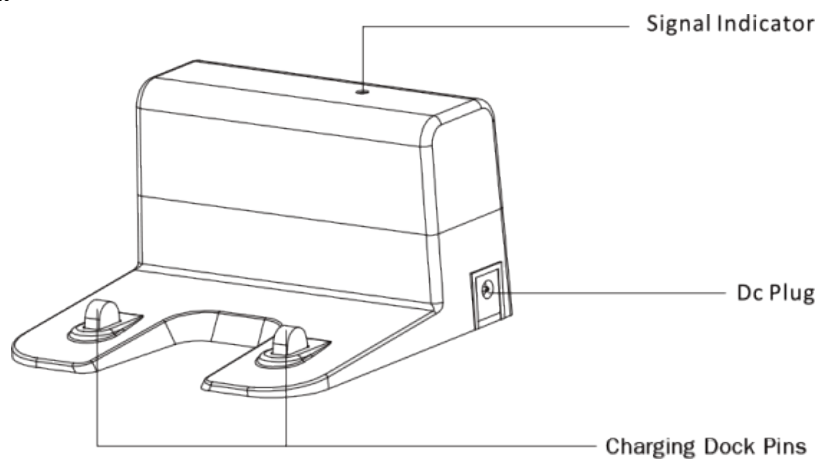
Dust container:



Water Tank and Mopping Pad Assembly:



Charging Dock:



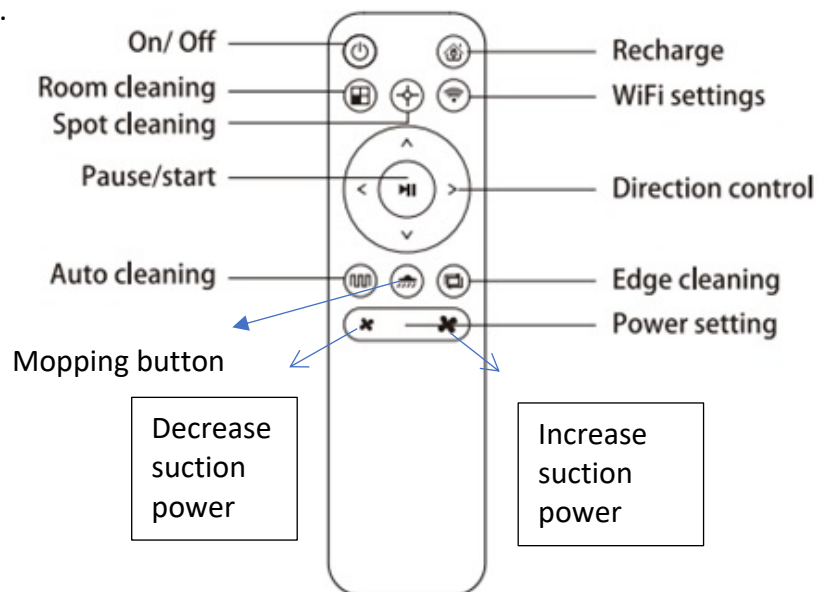
Indicators on the charging dock:

When the charging dock is connected to power, the green indicator light will be blinking. The robot will automatically return to the charging dock when the battery is lower than 20% power.

REMOTE CONTROL:

Add 2 x AAA size batteries to the remote control.

Add the batteries to the remote control as per the polarity markings in the battery compartment.



1. On/Off: Press to wake up or dormant the robot.
2. Recharge: Press to return the robot to the charging base.
3. Room cleaning: Select this mode only when one specific room needs to be cleaned. Make sure to confine Robot to the room by closing the door. Robot will also clean the edges before finished.

If this room does not contain the charging base, the robot will return to the original point after cleaning has finished.

4. Spot cleaning: Robot intensively cleans a specific area in a spiral pattern within the 5 ft radius, useful if there is a concentrated area of dust or debris.
5. Wifi settings: Can be used when connecting to Wifi. Press and hold the button down. Wait for the robot to beep twice. The buttons on the vacuum will both begin blinking. Then you can start to connect Wifi.
6. Direction control: You can direct Robot to clean a particular area by using the directional buttons on the remote control.
Note: the direction is based on the location of the power button facing the front of the robot. Pressing the arrow in the up position for example will make the robot travel forwards as per the power button. Pressing the arrow on the right hand side will make the robot travel to the right as per the power button.
The directional arrow needs to be pressed and held on the remote to make it travel in the chosen direction.

To stop directional control, press the Pause/Start button, then press it again to start normal operation.

7. **Pause/ Start:** Press to pause the robot, press again to resume the robot.
8. **Auto cleaning:** Robot optimizes its cleaning path by selecting different cleaning modes automatically until cleaning is complete.
This is the most commonly used cleaning mode.
9. **Mopping button:** Press to use the mopping function. The water tank needs to be installed first. The Robot will also automatically work with mopping when the water tank is installed, and the power button is pressed.
10. **Edge cleaning:** Robot reduces the moving speed when detects a wall or fixed object and then follows the wall or fixed object to ensure the edge is cleaned thoroughly. The robot will return to the charging base after edge cleaning is complete / return to its original start point.
11. **Power setting:** Press either the standard suction power button or strong suction power button to increase or decrease the power of suction.

LIGHT INDICATIONS:

Robot-list of lights		
	Power button	Home button
Recharging	Green light solid	Green light flash
Recharging finish	Green light solid	Green light solid
Cleaning	Green light solid	Light off
Cleaning finish	Green light solid	Orange light solid
Power less than 20%	Green light solid	Red light solid
Robot break down	Red light flash	Red light flash

If the Robot has not worked for 10 minutes, it will be dormant, and all lights will be off. Press the power button to wake up the robot, and then press the power button again for the Robot to start cleaning.

Wifi status		
	Power button	Home button
Wifi not connect	Green light solid	Light off
Wifi connecting	Green light solid	Green light flash quickly
Wifi connect successfully	Green light solid	Light off

After clearing an obstruction/ correcting an issue, the red lights may remain blinking. Press and hold the power button for 4 x seconds or until the lights stop blinking. Then press the power button once to start the robot again.

INSTALLATION OF APP:

Ensure that the robot, your router and your phone are close to each other before you start the APP connection. The suggested distance is less than 4 meters.

Scan the applicable QR CODE below to download the TUYA Smart app, or search for the TUYA Smart app in your device's app store:



IOS APP



Android APP

Download the TUYA Smart app (fig 01).

Open the TUYA app on your phone, after download (fig 02).

Register an account via email or mobile phone number (fig 03).

Tap the right verification code and set up a password for your TUYA ID (fig 04).

Login with account and password (fig 05).



Fig 01



Fig 02



Fig 03

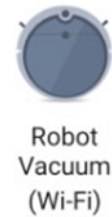


Fig 04



Fig 05

Tap the plus (+) sign to add the home appliance (Fig 06).
Add manually is shown on the top of the app screen.



Tap Small Home Appliances (Fig 07).
Choose Robot Vacuum (Fig 08). Select this vacuum from the list:

Select the 2.4 GHz Wi-Fi network.

Enter the correct Wi-Fi name and password and tap Next to connect the vacuum cleaner to the Wi-Fi network.

May need to scroll down on the app screen to locate the Next button.
Press Next.

EZ Mode pairing.

EZ Mode pairing is a quick method. It is also the default pairing method.
EZ Mode is shown in the top right hand corner of the app.

Press and hold the Wi-Fi button on the remote control for 5 seconds.
or

Press and hold the home button on the robot until the robot beeps once.
The robot will beep and the Home button and Power button on the robot will be blinking rapidly.

The robot has entered EZ mode.

Click on “Confirm the indicator is blinking rapidly” on the app screen and press Next (Fig 09).

Type your WIFI Password if prompted (Fig 10).



Fig 06



Fig 07



Fig 08



Fig 09

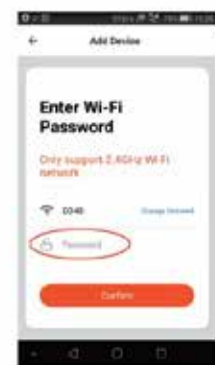


Fig 10

Start device connection and wait for pairing to occur (Fig 11).

When completed successfully, an Added successfully message will be on the app screen (Fig 12).

The robot name for the device can be changed if desired (Fig 13).
Press Done in the middle of the app screen.

Start using the app to control the robot (Fig 14).

Note additional controls/ settings on the bottom of the app screen. Swipe right and left at the bottom of the app screen to access those controls/ settings (Fig 15).



Fig 11



Fig 12

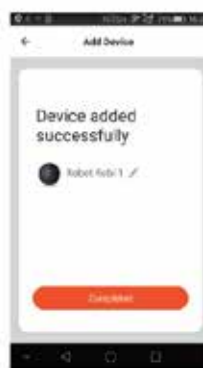


Fig 13



Fig 14



Fig 15

Alternative pairing method.

AP Mode pairing.

AP Mode is a slower pairing mode which may be required if a more stable signal is needed.

After selecting the Robot Vacuum (Wifi) from the devices in the app, and selecting the 2.4 GHz Wi-Fi network and pressing Next,

Press EZ Mode in the top right had corner of the app screen.

Select AP Mode.

Press and hold the home button on the robot for 5 seconds. The robot beeps every 2.5 seconds. After the robot beeps twice, robot enters the AP mode, and the Home button and Power button will be blinking slowly.

Button no longer needs to be held down.

The Home button and Power button on the robot will be blinking rapidly.

Click on “Confirm the indicator is blinking rapidly” on the app screen and press Next.

Connect your mobile phone to the device’s hotspot. Press “Go to Connect” on the app screen.

Select the SmartLife - XXXX hotspot.

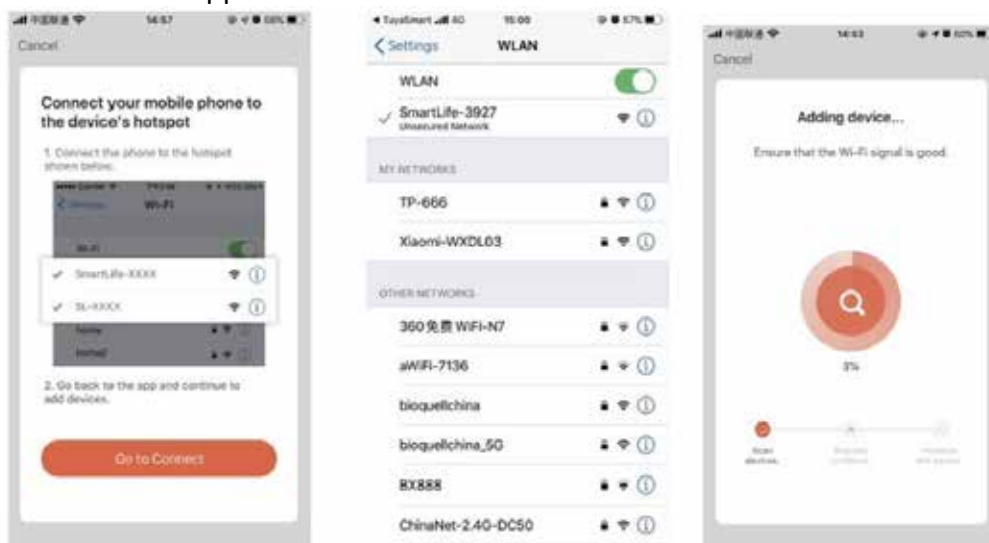
This hotspot is created after the machine is connected to your Wi-Fi network.

If it shows ‘connected without internet’ that is ok.

After the machine is connected to the hotspot, return to the TUYA Smart app.

The app automatically returns to the Connect your mobile phone to the device's hotspot screen. Wait for the device to be added.

When the app prompts that the connection is set up successfully, you can operate the machine in the app.



QUICK GUIDE FOR APP USE:

Select from 'Auto cleaning', 'Recharge mode', 'Room cleaning', 'Edge cleaning', 'Spot cleaning' when required to use your desired cleaning methods (Fig 15 + Fig 16).

Press 'Cleaning strength' to enter the suction power settings (Fig 17).

Press 'Schedule cleaning' to enter the scheduled cleaning settings.

Press 'Add Schedule' or 'Add' to choose a working time (Fig 19) and day/days if required (Fig 20).



Fig 16



Fig 17



Fig 18



Fig 19



Fig 20

Start/Pause/Standby/Sleeping mode:

Press "▶"/"||" to start or pause the robot (Fig 21).

Note: When the robot pauses for over 10 minutes, it will enter sleeping mode.

If it is in sleeping mode, press "▶"; the robot will be woken up and go into standby mode.

Press the cleaning mode which you require for cleaning.

Direction control:

You can direct Robot to clean a particular area by using the directional buttons on the app screen.

Note: the direction is based on the location of the power button facing the front of the robot. Pressing the arrow in the up position for example will make the robot travel forwards as per the power button. Pressing the arrow on the right hand side will make the robot travel to the right as per the power button.

The directional arrow needs to be pressed and held on the app screen to make it travel in the chosen direction.

To stop directional control, press the Pause/Start button, then press it again to start normal operation.

Working map and cleaning record:

The app will show a map of the working cleaning part of the robot (Fig 22).

Note, that this app may not update in real time.

Tap “Cleaning record” to view the cleaning records of the working time and cleaned area.

The data can also be cleared (Fig 23).

Find robot:

You may not know where the robot is when it finished cleaning and stops.

Press ‘positioning of robot’ in the app (Fig 24).

The robot will beep once when it is pressed. You can press it repeatedly to assist with locating the robot.

If the ‘mute’ option has been selected in the ‘More’ settings, the robot will not beep when ‘positioning of robot’ is pressed.

Mute:

Tap ‘More’ to enter the mute settings (Fig 25).

When the icon is green, the sound will be mute (Fig 26).



Fig 21



Fig 22



Fig 23




Fig 24



Fig 25


Supported Third-party control:

The robot works with Amazon Alexa, Google Assistant and some other third party control devices.

Tap  in the top right corner (Fig 27). The find ‘Supported Third-party Control’ and tap the corresponding icon to make connection (Fig 28).

Share Devices:

Only one main ID for one single device is available.

If you want to share the device to others in your family, tap  on the top right corner; Choose “Share devices” (Fig 29); type correct registered cellphone number/email ID to add additional users (Fig 30).

Note: other users must have a TUYA ID before being added.



Fig 26



Fig 27



Fig 28



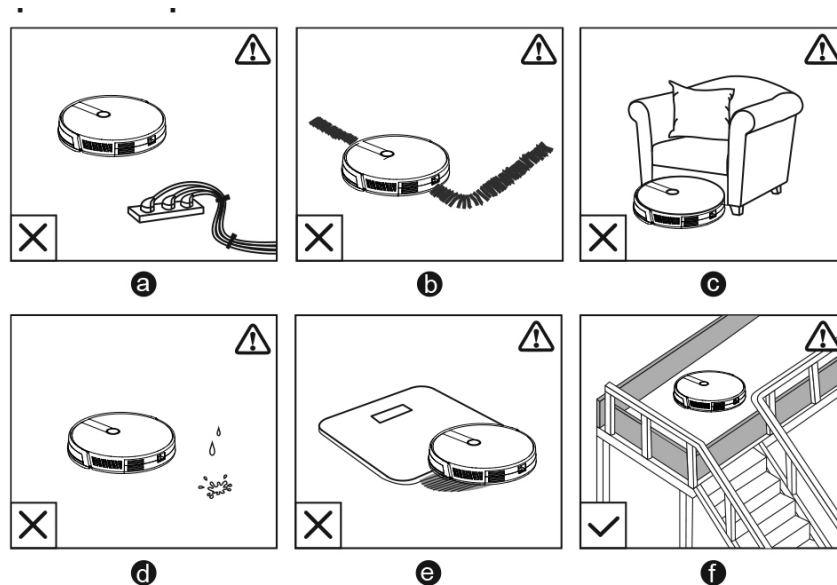
Fig 29



Fig 30

PRODUCT USAGE/ PREPARATION:

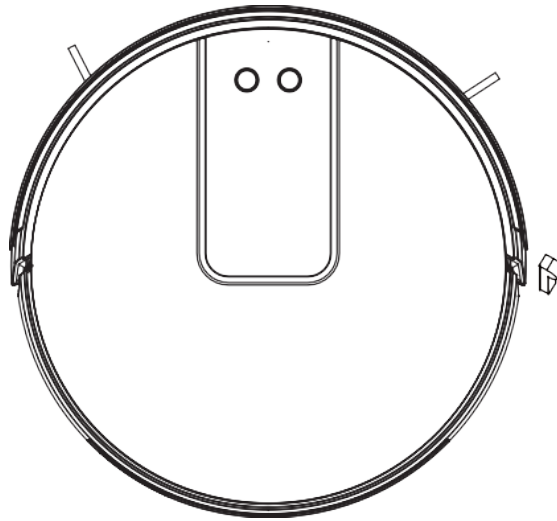
IMPORTANT TIPS BEFORE USE:



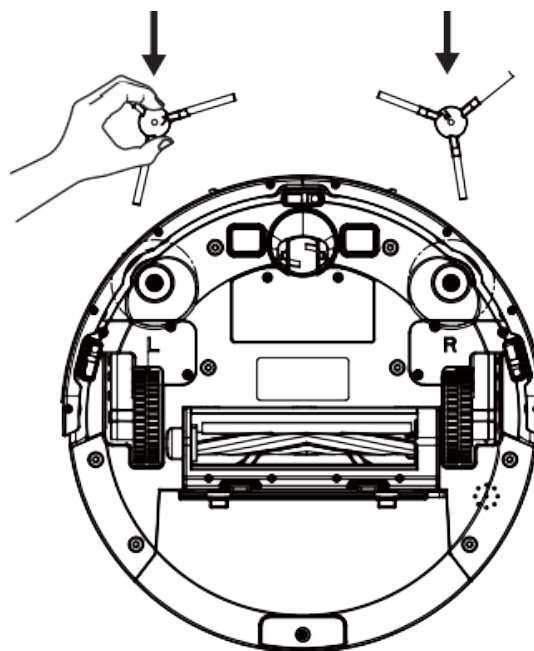
- a. Remove power cords and small objects from the floor that may entangle Robot. You can use the supplied cable ties to organize your wires and power cords.
- b. Fold tasseled edges of area rugs underneath to prevent tangling Robot. Avoid cleaning very dark-colored high-pile rugs or rugs thicker than 1.02 in/26 mm as they may cause Robot to malfunction.
- c. Keep Robot away from spaces lower than 2.87 in/73 mm to prevent Robot from getting stuck. If necessary, place a physical barrier to block off the problem areas.
- d. Keep Robot away from wet areas.
- e. Robot may climb on top of objects less than 0.63 in/16 mm in height. Remove these objects if possible.
- f. Anti-drop sensors prevent Robot from tumbling downstairs and steep drops. They may work less effectively if dirty or used on reflective/very dark-colored floors. It is recommended to place a barrier or boundary in front of fireplaces and areas that may cause damage to the robot if entered. Block off areas where Robot may fall.

Remove Protection

Before using the Robot, remove the protective strip on the Robot and remove the protective film on the charging dock.



Ensure the side brushes are installed according to the left and right (L/R) before use.

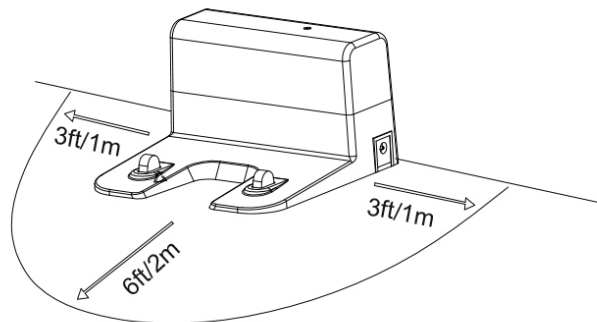


PRODUCT USE/ ROBOT CHARGING:

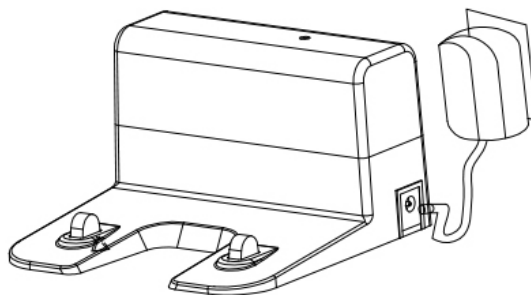
1. Placing and charging:

Ensure the charging base is against the wall and placed on a hard, flat ground. Rather than on rugs or carpet.

Do not place items within the range of 1m to the left or right or the charging base and 2m ahead.



2. Connect to the power supply. Plug the adaptor into the power outlet and plug the DC jack into the DC socket of the charging base.



Note: Install the charging base in a location that the robot can easily access.

3. Charging:

The robot has a pre-installed rechargeable battery that has to be fully charged before use. Place the robot on the charging dock for charging.

During charging, the indicator light flashes.

When charging is complete, the light remains on. The charging time is about 5 hours.

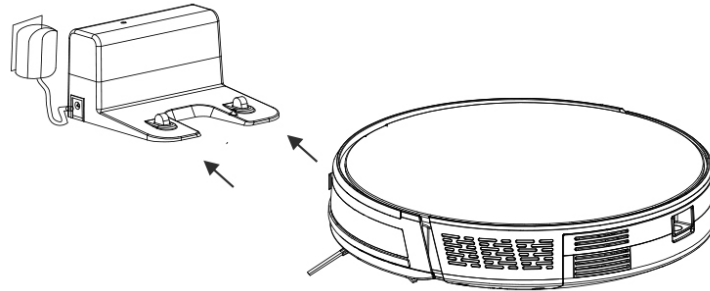


During the cleaning process, the Robot can sense that its power is insufficient and automatically enters “Back to Charge” mode” and automatically finds the charging base to charge.

You can also command the Robot to enter “Back to Charge” mode through the “Re-charge” button on the remote control.

The robot will return to the charging base alongside the walls in a slow pace, which may take some time. This is normal and not a concern.

If the robot has become stuck somewhere and ran out of battery, attach the robot to the charging base by aligning its charging pins with the charging pins on the base.



Charging attention:

1. The charging base cannot be used in environments with a strong reflection such as direct sunlight and nearby mirrors.

If there are any objects with strong reflection, please cover these 7cm from the bottom.

2. In order to ensure the normal working hours of the Robot, please fully charge it before use.

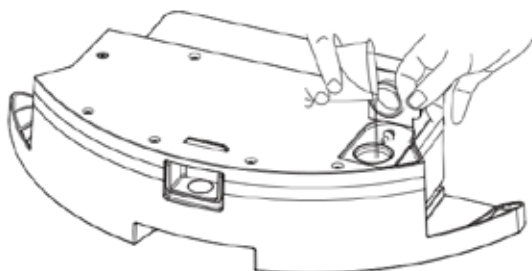
The charging time is about 5 hours.

3. When charging, do not attach the water tank assembly while charging, to ensure the safety of charging and prevent wet rags from damaging the floor.

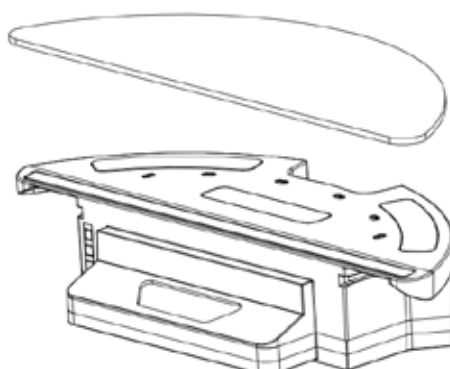
PRODUCT USE: USING THE WATER TANK:

Do not use the floor mopping function on carpets.
After mopping the floor, please empty the water tank and remove the mopping pad.
Do not store the water tank with water inside it.

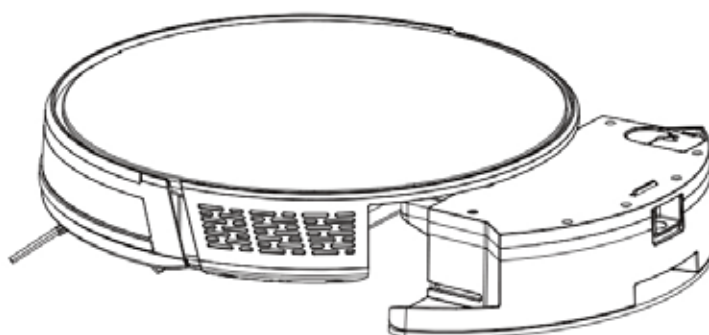
Add water to the water tank. Lift the rubber flap to access the filling hole.
Fill the water tank with clean fresh water only. Do not add any cleaning fluids.



Add the mopping pad to the underside of the water tank.



Install the water tank assembly to the robot.



Press the power button to begin mopping.

All the buttons on the remote control can be used.

When the power settings buttons in the app or on the remote are pressed, the water volume used during mopping is adjusted.

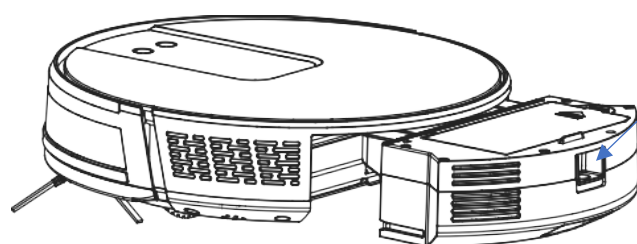
The mop pad fabric is Nylon. Wash in clean cold water with a small amount of laundry detergent or powder. Hand wash or washing machine wash with similar fabrics.

Drip dry.

Do not bleach.

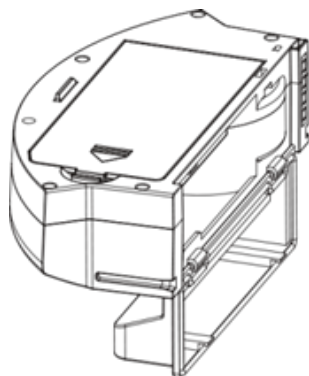
COMPONENT MAINTENANCE/ DUST CONTAINER:

1. Press the dust container button to remove the dust container.

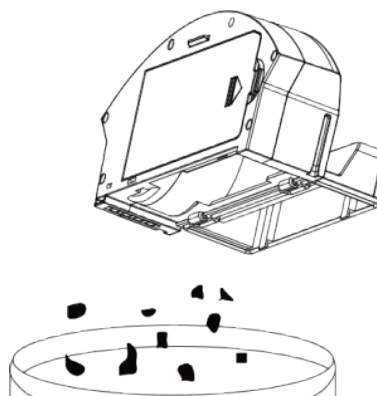


Press down, then pull the dust container out.

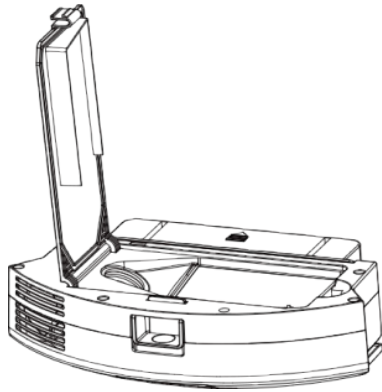
2. Open the dust container side cover. Note the arrow and then pull the flap down.



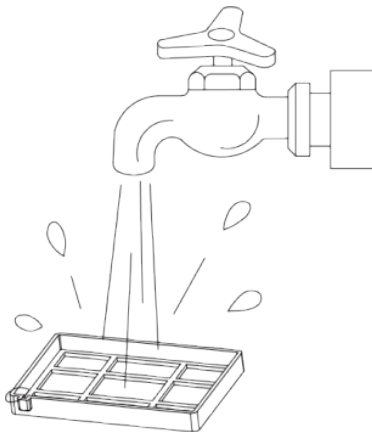
3. Remove the waste from the dust container.



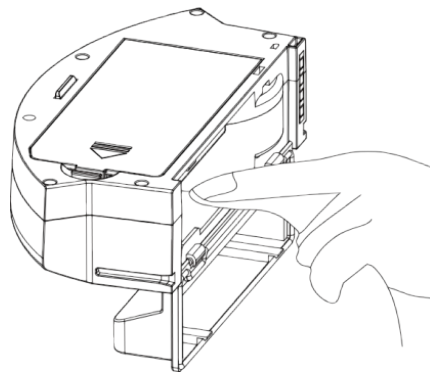
4. Open the high efficiency filter.



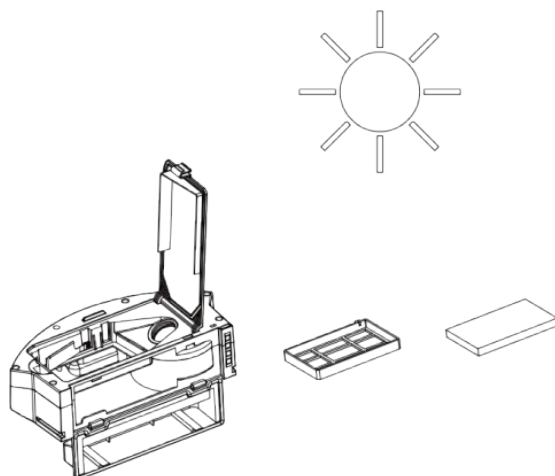
5. Open the high-efficiency filter and take out the high-efficiency filter and the primary filter, it is not recommended to clean the high-efficiency filter with water. Tap gently to remove dust.
6. Rinse the primary filter.



7. The dust container can be scrubbed clean with a dishcloth. Please pay attention: Do not wash the dust container with water.



8. Dry the dust box and filter assembly, and keep it dry to ensure its service life.
Note: It is recommended to wash the primary filter with water after use of about 15 - 30 days. The maximum service life of the high efficiency filter is 3 months.



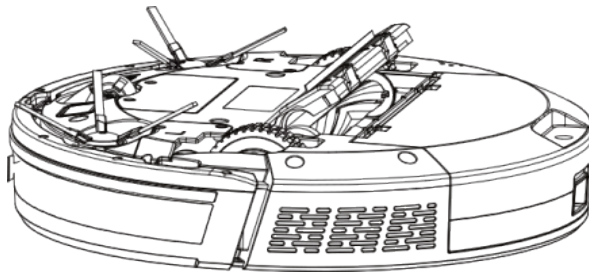
9. Replace the primary filter and the high efficiency filter into the dust container.
Note:
1. Before installing the filter, please ensure that the high efficiency filter and the primary filter are in a dry state.
2. Do not expose the high efficiency filter and primary filter to the sunlight.

Close the dust container cover and install the dust container in the Robot.

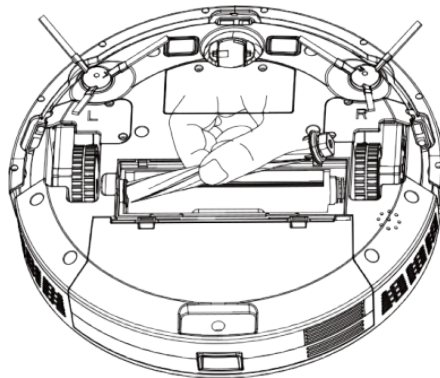
ⓘ Note: Do not wash the dust container with water.

COMPONENT MAINTENANCE/ MAIN BRUSH AND SIDE BRUSH:

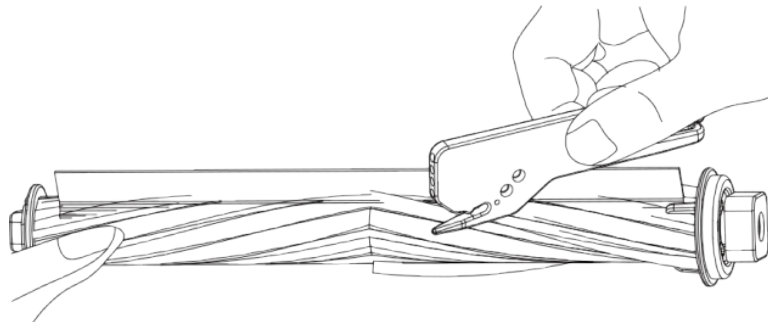
1. Open the main cover brush assembly.



2. Take out the main brush shaft.



3. Use to the utility tool for cleaning tangled hair.



4. Clean the main brush with a dry cloth (not included).

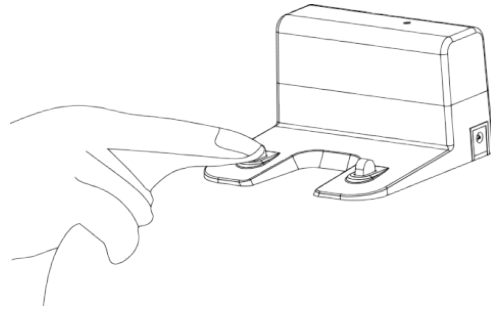


COMPONENT MAINTENANCE/ CHARGE DOCK PINS, DOWN VIEW SENSOR, DRIVE WHEEL AND UNIVERSAL WHEEL:

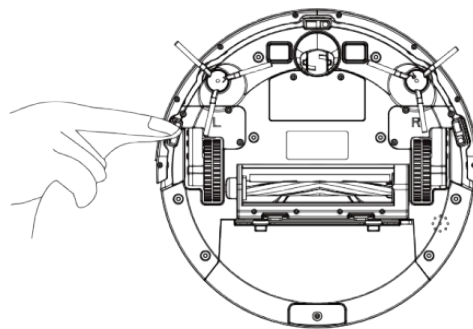
Reminder:

The interior of the charging dock, the down-view sensor and the bumper all contain sensitive electronic components. Please use a dry cloth (not included) when cleaning. Do not use a damp or wet cloth to prevent damage caused by water inflow.

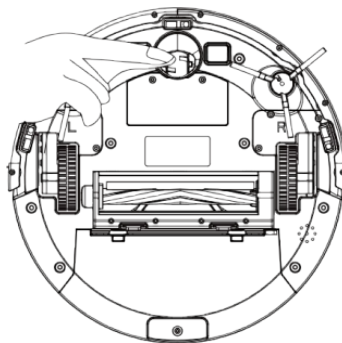
Clean the charging dock pins:



Clean the down-view sensor:



Clean the drive wheels and the universal wheel:



If the product is not used for a long time, ensure it is fully charged before storing. Turn off the robot and connect it to charge every 3 months to maintain the battery life. If the battery is over dis-charged or is not used for a long time, the product may not be able to be charged.

TROUBLESHOOTING:

No.	Issue	Cause of Failure	Solution
1	Wheels off the ground	Robot suspended	Please put the robot back to the ground and press the power button
2	Dust container not installed	Dust container removed and not installed	Return the dust container to the Robot and press the power button
3	Battery failure	Abnormal battery charging	Contact Lennox customer service
4	Wheels stuck	Wheel jammed	Check whether the wheel is entangled with foreign objects and clean up the entangled objects. Then press the power button
5	Front of the robot is stuck	Front impact bracket stuck	Check whether the front of the robot can rebound normally
6	Robot connection failed	Machine failed to connect	Check whether the wireless network connected during distribution can connect to the internet
7	The battery is low, charge the robot	Battery power less than 20 %	The machine automatically enters the recharge mode
8	The sidebrush is tangled or jammed	Abnormal edge brushing	Check whether the side brush is wound around the wire and fix this. Remove any tangled matter
9	Please move the machine to an open area.	The machine failed to get out of an obstacle.	Move the Robot to an open area and press the power button again


After clearing an obstruction/ correcting an issue, the red lights may remain blinking. Press home button or power button then red lights will stop blinking. If not, then press and hold the power button for 4 x seconds or until the lights stop blinking. Then press the power button once to start the robot again.

SPECIFICATIONS:

Classification	Item	Parameter	
Structural	Diameter	330 mm	
	Height	76mm	
	Net weight	3.40 kg	
	Shell material	ABS	
	Navigation	Gyroscope	
	Cleaning	Auto, Edge, Spot, Room, Schedule	
	Wi-Fi	2.4G	
	Battery	2500mAh Li-ion	
	Fan motor	2000PA	
	Suction power	400/600/1000PA	
	Bin capacity	600 ml	
	Water tank capacity	350 ml	
	Speed	0.3m/s	
Main features	Obstacle height	15 mm	
	Noise indicator	60/64/67 dB	
	Output voltage	14.4 V	
	Adaptor voltage	19.0V/0.6A	
	Input data	100~240V, 50/60Hz, 0.6A	
	Output data	19.0V/0.6A	
	Length of side brush	50mm	
	Power	28W	
	Charging Time	5 hours	
	Cleaning Time		About 120 minutes, normal suction
			About 140 minutes, low suction
		About 90 minutes, high suction	

LENOXX

www.lenoxx.com.au

 1300 666 848

 LenoxxElectronics  @LenoxxAustralia