

**LENOXX**  
MF040

# 40cm MISTING PEDESTAL FAN



**Model: MF040**

**Batch: PR4079**

**PLEASE READ AND RETAIN THESE INSTRUCTIONS FOR FUTURE REFERENCE.**

**THIS PRODUCT IS INTENDED FOR HOUSEHOLD USE ONLY.**

The illustrations used in the manual are to illustrate the operation method and structure of the product. Where there is a small difference between the physical item and the illustrations, please take the physical as the standard.

Read these instructions carefully before attempting to assemble, install, operate or maintain the product. Protect yourself and others by observing all safety information. Failure to comply with instructions could result in personal injury and / or property damage.

### **ABOUT THE ITEM:**

Calm down, settle back and take a breather with our remote-controlled 40cm Misting Pedestal Fan. This standing pedestal fan will mist and chill the airflow up to 50m<sup>2</sup> around your home or small office.

Use the convenient touch-panel settings or full function remote control to adjust between three wind speeds and three wind adjustment modes. Natural mode simulates a natural breeze perfect for daytime use and sleep mode simulates a soft breeze perfect for night-time use. Set your timer between .5 and 7.5 hours to control your cooling session, your way. Control the mist while running the fan or resting in idle mode – the choice is yours. If you prefer an oscillation, this large, 40-centimetre fan has all the options available for you.

This misting pedestal fan has a water tank capacity of 2.8L and can produce up to 190mL of mist per hour. The misting indicator light and empty water tank indicator light each help to keep misting and keep track without ever missing a beat.

Enjoy a sturdy, reliable base at a fixed height of 1.2 metres and the ease of transport with four wheels under the base to move the misting pedestal fan from room to room. The safety fan guard around the large, 40-centimetre head will prevent unwanted accidental injury, so you can relax to the max without a worry.

Take a deep breath in and feel the difference of clean, refreshing air cycling through your room with our 40cm Misting Pedestal Fan, with remote control.

### **IMPORTANT SAFEGUARDS:**

**When using electrical appliances, basic safety precautions should always be followed, including the following:**

1. Read instructions carefully before use.
2. Remove and safely disregard any packaging material and labels before using this product for the first time. Ensure children and babies do not play with plastic bags or any packaging materials.
3. Before use, check that your local voltage corresponds with the specifications shown on the appliance nameplate located under the appliance.
4. Always operate the appliance on a horizontal surface which is level and stable. Do not operate the appliance on or near combustible materials such as tablecloths or curtains.

5. Do not place the appliance on or near a hot gas or electric burner, or in a heated oven.
6. Never connect this appliance to an external timer or separate remote-control system.
7. Never use this appliance with an extension cord or power board. Ensure it is plugged into a dedicated power point and without any other appliances on the same outlet.
8. Do not turn on the power until the appliance and parts are in place as required.
9. To protect against electric shock, do not immerse the cord, plug, or appliance in water or any other liquid. Do not expose the appliance to dripping or splashing and ensure that no objects filled with liquids such as vases are placed on the appliance. Do not put any water or other liquid into the main housing of the appliance through the vents. Do not rinse it under the tap.
10. Do not touch the appliance, power cord or power plug with wet hands.
11. Unplug from the outlet when not in use, before putting on or taking off the parts, and before cleaning.
12. The appliance does not contain any serviceable parts inside. Do not attempt to open and repair the unit yourself. All components should only be serviced by a qualified technician.
13. Do not use the appliance if the plug, power cable or unit itself are damaged. If the power cord is damaged, you must have it replaced at a service centre with qualified persons in order to avoid a hazard.
14. Do not use the appliance for anything other than the intended use. It is for household use only. It is not to be used outdoors or for commercial purposes.
15. Close supervision is necessary when any appliance is used near children. Keep the appliance and power cord out of reach of children when it is in operation.
16. This appliance is intended to be used in household and similar applications such as:
  - staff kitchen areas in shops, offices and other working environments;
  - farm houses;
  - by clients in hotels, motels and other residential type environments;
  - bed and breakfast type environments
17. This misting fan should be operated on a separate electrical power point from other operating appliances. If the power point is overloaded with other appliances, this misting fan may not work properly.

18. Leave enough open space from other objects while in use. Do not block air intakes or exhausts.
19. Do not place the appliance against a wall or against other appliances. Leave at least 5 inches of free space on the back and sides and above the appliance. Do not place anything on top of the appliance.
20. Do not cover the misting fan while in use.
21. Do not let the cord hang over the edge of the table or counter.
22. Do not unplug the misting fan by pulling on the cord.
23. This appliance is not designed to be used by people (including children) with a physical, sensory or mental impairment, or people without knowledge or experience, unless they are supervised or given prior instructions concerning the use of the appliance by someone responsible for their safety. Children must be supervised to ensure that they do not play with the appliance.
24. Do not leave the appliance operating while unattended.
25. Never put fingers or any other objects through the grilles (fan guards) while the fan is running.
26. Long hair can be caught in the fan owing to the air turbulence. Hair, jewellery and loose clothing must be kept away from the fan.
27. The misting fan is not an aromatiser or vaporiser. Do not add any liquid into it such as essential oils, fragrances or vaporising fluid. Only add water.

**SHORT CORD INSTRUCTIONS:**

Do not use with an extension cord. A short power supply cord is provided to reduce the risks resulting from being entangled in or tripping over a long cord.

**PREPARATION FOR USE:**

Before using the misting fan for the first time:

Carefully unpack the misting fan and remove all the packing materials.

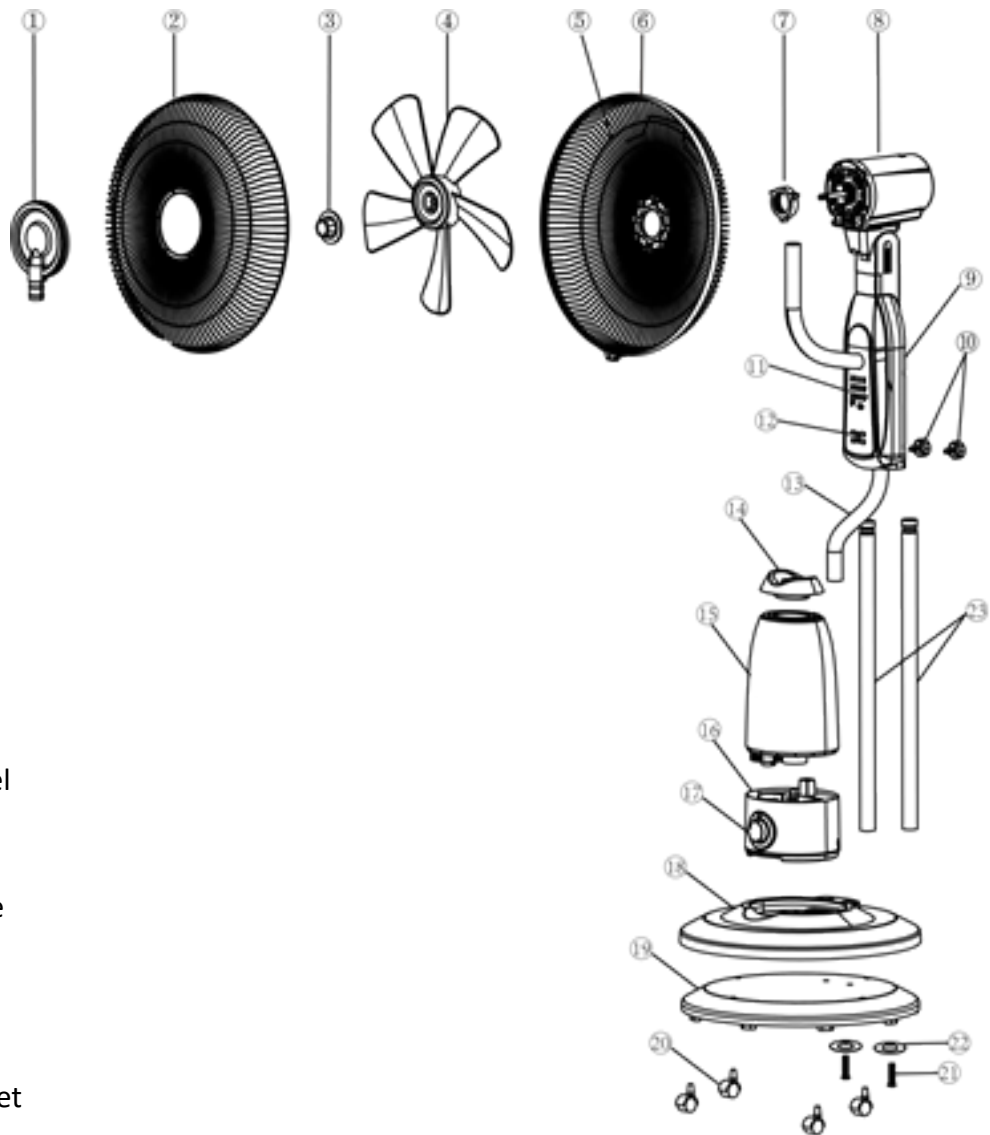
Place the misting fan on a flat and stable surface.

Use a soft cloth to remove any dust on the surface that may happen during packing and transport.

## **ASSEMBLY INFORMATION:**

### **PARTS:**

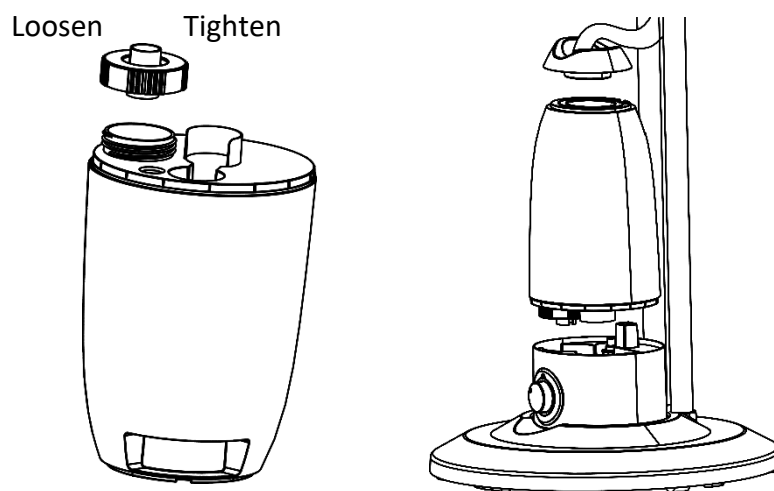
1. Mist Board
2. Front Grill
3. Blade Lock Nut
4. Blades
5. Back Grill
6. Grill Ring
7. Grill Lock Nut
8. Motor Cover
9. Back Shell
10. Nut
11. Control Panel
12. Key
13. Misting Tube
14. Top Cap
15. Water Tank
16. Water Bracket
17. Knob
18. Base
19. Weight Rubber
20. Wheels
21. Screws
22. Gasket
23. Support Tube



## ASSEMBLY INSTRUCTIONS:

1. Insert the main holder into the main body, and tight up by the nuts (10).
2. Insert the 5pcs wheels (20) into the weight rubber (19), and tighten up by the screws (21) and the gasket (22).
3. Put the back grill (5) on the motor shaft, and tighten up by the grill lock nut (7) to the motor cover (8). Insert the blades (4) on the motor shaft, and tighten up by the blade lock nut (3).
4. Fixed the misting board (1) on the front grill (2), and tight up by misting board lock screws.
5. Connection the front grill (2) and back grill (5) by grill ring (6), and tighten up by grill lock nut.

## Fill the water tank:



Unscrew the valve cover to open the tank turning it anticlockwise, fill the tank with cold and clean water making sure not to overfill it. To close the tank, screw the valve cover back on securely turning it clockwise. Turn the tank over and place it back into its designated space at the back of the fan main body.

## ATTENTION!

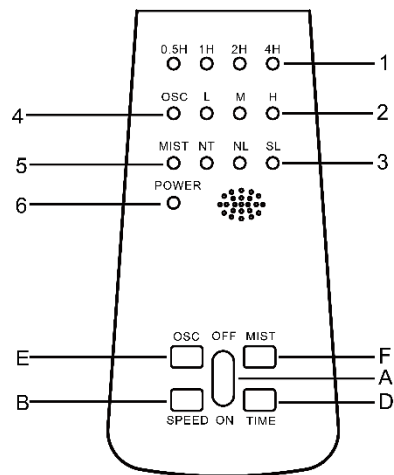
- Ensure the product is unplugged from the mains before filling or refilling the water tank.
- Only use water in the water tank. Do not add any chemicals, oils or other additives.
- Only use cold or lukewarm water in the water tank. The water must not be warmer than 40°C.

## **CONTROLS:**

### **CONTROL PANEL:**

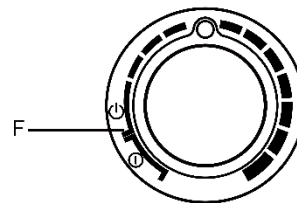
#### **Indicator lights:**

1. Timer indicator
2. Speed: low-medium-high
3. Mode: Natural/Normal/Sleeping
4. Oscillation
5. Mist indicator
6. Power on indicator



#### **Buttons:**

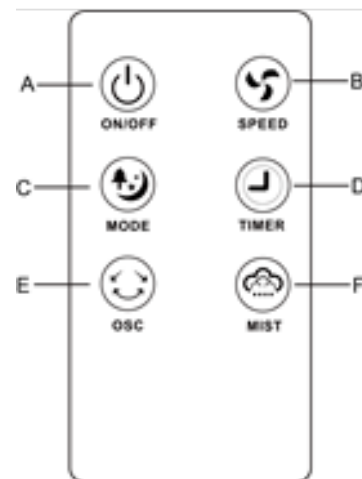
- A. On/Off
- B. Speed
- D. Timer
- E. Oscillation
- F. Mist knob



### **REMOTE CONTROL:**

#### **Buttons:**

- A. On/Off
- B. Speed
- C. Mode
- D. Timer
- E. Oscillation
- F. Mist



Remote control is supplied with battery inside; remove the transparent sheet from the battery cover before use remote control.

The remote takes 1 x CR2025 battery.

When the battery is flat, it must be replaced with the same type following the drawing on the back of remote control.

## **REMOTE CONTROL BATTERY SAFETY INFORMATION:**

### **Remote control battery warning:**

**This product contains a coin/button cell battery inside.**

**If swallowed, go straight to a hospital emergency room.**



- **WARNING** - KEEP BATTERIES OUT OF REACH OF CHILDREN
- Swallowing may lead to serious injury in as little as 2 hours or death, due to chemical burns and potential perforation of the oesophagus.
- If you suspect your child has swallowed or inserted a button battery immediately call the 24-hour Poisons Information Centre on 13 11 26 (in Australia) or 24-hour National Poisons Centre on 0800 764 766 (in New Zealand) for fast, expert advice.
- Examine devices and make sure the battery compartment is correctly secured, e.g. that the screw or other mechanical fastener is tightened. Do not use if compartment is not secure.
- Dispose of used button batteries immediately and safely. Flat batteries can still be dangerous.
- Tell others about the risk associated with button batteries and how to keep their children safe.

## **OPERATION:**

### **ON/OFF Button (A):**

- Press On/Off button one time to activate the fan. The indicator light (6) will be illuminated on the control panel. You can now press MIST (F) button to select the misting function without fan operation (mist only).
- Press On/Off button a second time to turn on the fan: the unit will operate at low speed and the related indicator light (2) will be illuminated on the control panel. You can now select other functions (speed, mode, timer, mist).
- Press On/Off button when the unit is on to turn it off.

### **SPEED Button (B):**

- To start the fan at low speed, press On/Off button (A) once (when unit is Off): the unit will operate at low speed and the related indicator light (2) will be illuminated on the control panel.
- Press speed button one time to select the medium speed: the related indicator light (2) will be illuminated on the control panel.
- Press speed button another time to select the high speed: the related indicator light (2) will be illuminated on the control panel.

### **MODE Button (C):**

- When you press the On/Off button once, the fan will operate in Normal mode.
- Press mode button one time to change to Natural mode: the unit simulates a natural breeze mode and the related indicator light (3) will be illuminated on the control panel.
- Press mode button another time to change to Sleeping mode: the unit simulates a soft breeze suitable for night time use. The related indicator light (3) will be illuminated on the control panel.
- Press again mode button to change to Normal mode.



**TIMER Button (D):**

- When the unit is operating, you can set the timer to switch the fan off automatically after the set time. Press the timer button repeatedly to select the desired time period in half hours increments: from 0.5 hours to 7.5 hours.

There are only 4 indicator lights for the timer mode on the control panel.

When the indicator light for 0.5 hours is illuminated, the misting fan will operate for 30 minutes.

When the indicator light for 1 hour is illuminated, the misting fan will operate for 1 hour.

When the indicator lights for 0.5 hours and 1 hour are both illuminated, the misting fan will operate for 1 hour and 30 minutes.

When the indicator light for 2 hours is illuminated, the misting fan will operate for 2 hours.

When the indicator lights for 0.5 hours and 2 hours are both illuminated, the misting fan will operate for 2 hours and 30 minutes.

When the indicator lights for 1 hour and 2 hours are both illuminated, the misting fan will operate for 3 hours.

When the indicator lights for 0.5 hours, 1 hour and 2 hours are all illuminated, the misting fan will operate for 3 hours and 30 minutes.

When the indicator light for 4 hours is illuminated, the misting fan will operate for 4 hours.

When the indicator lights for 0.5 hours and 4 hours are both illuminated, the misting fan will operate for 4 hours and 30 minutes.

When the indicator lights for 1 hour and 4 hours are both illuminated, the misting fan will operate for 5 hours.

When the indicator lights for 0.5 hours, 1 hour and 4 hours are all illuminated, the misting fan will operate for 5 hours and 30 minutes.

When the indicator lights for 2 hours and 4 hours are both illuminated, the misting fan will operate for 6 hours.

When the indicator lights for 0.5 hours, 2 hours and 4 hours are all illuminated, the misting fan will operate for 6 hours and 30 minutes.

When the indicator lights for 1 hour, 2 hours and 4 hours are all illuminated, the misting fan will operate for 7 hours.

When the indicator lights for 0.5 hours, 1 hour, 2 hours and 4 hours are all illuminated, the misting fan will operate for 7 hours and 30 minutes.

If the time button is pressed one more time, then no indicator lights will be on and no timer will be set and the misting fan will operate until it is manually turned off.

**OSCILLATION Button (E):**

- Press the oscillation button to activate the automatic oscillation from right to left. The related indicator light (4) will be illuminated on the control panel.
- Press again the oscillation button to deactivate the automatic oscillation; the indicator light (4) will off on the control panel.

**MIST Button (F):**

- Put some water into the water tank (15), and tighten up the lock nut. And put it back to the fan.
- When the mist function is selected the water indicator light (17) will be illuminated blue.
- If the water tank (15) is empty (No water), the indicator light will be illuminated red.
- Turn the knob (F) to increase or decrease the level of mist.
- Note: The mist function and speed function can be worked independently, or together.



**CLEANING AND MAINTENANCE:**

Note: Before cleaning the appliance, always disconnect the power plug from the power point.

1. DO NOT immerse or splash the misting fan in water or any other liquids.
2. DO NOT use solvents or any other chemical products for cleaning the misting fan.
3. When you have finished using the fan at the end of the season, wipe off any dust to maintain it in good working order for the next season; if necessary disassemble the grille and remove the fan; clean the fan and grille with a soft damp cloth. Store the misting fan in a dry location.
4. Remove the water tank and clean it with lukewarm water; before replacing the water tank in the unit make ensure it is completely dry.

**SPECIFICATIONS:**

Product: 16" Mist Fan


Power: 90W

Voltage: 220V / 50Hz

Water tank capacity: 2.8 L.


# **LENOXX**

[www.lenoxx.com.au](http://www.lenoxx.com.au)

 1300 666 848

 LenoxxElectronics

 LenoxxElectronics

 @LenoxxAustralia