

Healthy Choice[®]

ICM20

ICE CUBE MAKER

15 KILOGRAMS OF ICE IN 24 HOURS



Model: ICM20

Batch: PR4510

PLEASE READ AND RETAIN THESE INSTRUCTIONS FOR FUTURE REFERENCE.

THIS APPLIANCE IS INTENDED FOR HOUSEHOLD USE ONLY.

The illustrations used in this manual are to illustrate the operation method and structure of the product. Where there is a small difference between the physical item and the illustrations, please take the physical as the standard.

IMPORTANT SAFEGUARDS

- Remove and safely disregard any packaging material and labels before using this product for the first time. Ensure children and babies do not play with plastic bags or any packaging materials
- Before using the ice maker for the first time, let it sit for 2 hours with the lid open.
- Ensure that the voltage indicated on the ice maker corresponds with the voltage in your home.
- Do not operate any appliance with a damaged cord or plug or after the appliance malfunctions or is dropped or damaged in any manner, take it to the store where the unit was purchased or call Lennox customer service for further assistance on 1300 666 848.
- Unplug the ice maker from the power outlet when it is not in use, before putting or taking parts off and before cleaning.
- Do not let the cord hang off the edge of a bench, table or touch a hot surface.
- The use of accessories not recommended by the manufacturer may cause injuries to persons.
- This appliance is not intended for used by persons (including children) with reduced physical, sensory or mental capabilities, or lack of experience and knowledge, unless they have been given supervision or instruction concerning use of the appliances by a person responsible for their safety.
- Children should be supervised to ensure that they do not play with the appliance
- Cleaning and user maintenance shall not be made by children without supervision.
- This appliance is intended to be used in household and similar applications such as:
 - staff kitchen areas in shops, offices and other working environments;
 - farm houses;
 - by clients in hotels, motels and other residential type environments;
 - bed and breakfast type environments
- Do not operate the ice maker other than for its intended use.
- The ice maker is to be used horizontally and on a stable surface.
- Do not position this appliance on an incline over 45 degrees.
- Do not put the ice maker upside down as this may damage the compressor and sealed system.
- For proper ventilation, keep 15 cm clearance around the ice maker on each side, the rear and the top.
- Do not use the ice maker close to open flames, hot plates or stoves.
- Do not immerse the ice maker in water.
- Fill with drinking water only.
- Before use, ensure the drain cap is screwed correctly.

ADDITIONAL SAFETY INFORMATION:

1. This appliance is not intended for use by persons (including children) with reduced physical, sensory or mental capabilities, or lack of experience and knowledge, unless they have been given supervision or instructions concerning use of the appliance by a person responsible for their safety.
2. Children should be supervised to ensure that they do not play with the appliance.
3. Cleaning and user maintenance shall not be made by children unless they are older than 8 and supervised.
4. Keep the product and its cord out of reach of children aged less than 8 years.
Caution! To avoid hazards caused by inadvertent resetting of the safety temperature limiter, the product must not be connected to an external switching device such as a timer switch or connected to an electrical circuit that is regularly switched ON and OFF.
5. This appliance is intended to be used indoors in household and similar applications such as: staff kitchen areas in shops, offices and other working environments, farmhouses, by clients in hotels, motels and other residential type environments, bed and breakfast type environments.

SHORT CORD INSTRUCTIONS:

- a) A short power-supply cord is to be provided to reduce risks resulting from becoming entangled in or tripping over a longer cord.
 - b) Extension cords are available and may be used if care is exercised in their use.
 - c) If an extension cord is used:
 - 1) The marked electrical rating of the extension cord should be at least as great as the electrical rating of the appliance;
 - 2) If the appliance is of the grounded type, the extension cord should be a grounding type 3-wire cord; and
 - 3) The longer cord should be arranged so that it will not drape over the countertop or tabletop where it can be pulled on by children or tripped over.
- Do not attempt to modify the plug in any way.

UNPACKING AND CHECKING THE PRODUCT:

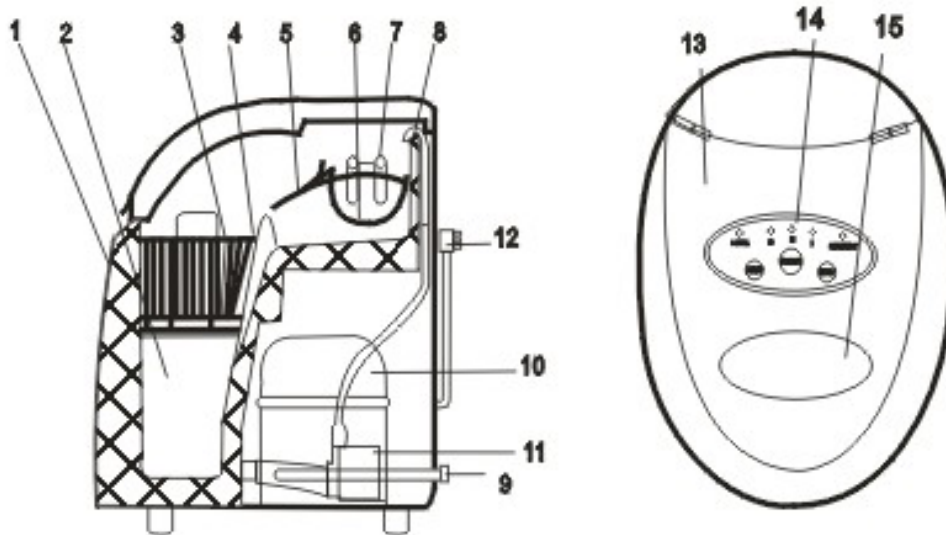
1. Remove the product and accessories carefully from their original packaging.
2. Check whether the contents of the packaging are complete or damaged. If the contents of the packing are incomplete or if damage is detected, please contact our customer service on 1300 666 848.
3. Choking hazard! Keep packaging materials out of reach of young children and dispose of packaging materials.

BEFORE FIRST USE:

1. During transportation, the incline angle of the cabinet should not be over 45°. Do not turn the ice maker upside down. As this may damage the compressor and sealed system.
2. Remove all packing material and carefully check your ice maker to ensure it is in good condition and that there is no damage to the ice maker or power cord and plug.
3. The ice maker should be placed horizontally on a level surface. To ensure proper ventilation for your ice maker allow 150mm of space at the top, the back and on each side. Do not install the ice maker near an oven, radiator, or any other heat source.

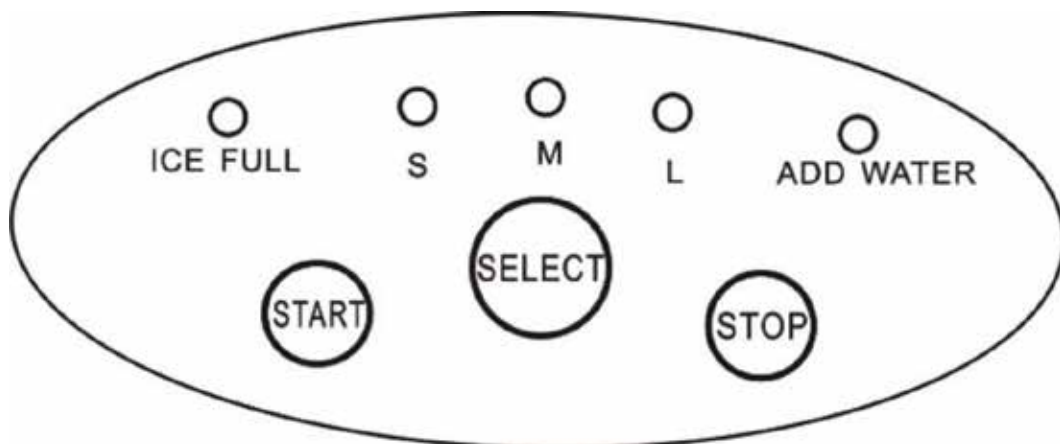
4. Before using the ice maker for the first time, please wait 2 hours after positioning it, and keep the front lid open for at least 2 hours
5. Ensure that the voltage indicated on the ice maker corresponds with the voltage in your home.

PRODUCT CONSTRUCTION AND FEATURES:



1. Inner Liner
2. Water Reservoir
3. Ice collecting Tray
4. Ice Bin Full Sensor
5. Ice Shovel
6. Water Tray
7. Evaporator
8. Water Inlet Tube
9. Water drain plug
10. Compressor
11. Water pump
12. Power cord
13. Lid
14. Control board
15. Window

CONTROL PANEL OPERATION:



: Press it to turn unit on.



: Press it to turn unit off.



: ice size selection (S) small, (M) medium or (L) large.

Press the select button repeatedly to change between the different sizes.

The selected mode will stay as selected unless changed or there is a power failure.

The default setting is medium.



ADD WATER: This light will come on with a long noise 'beep' noise.

You will need to add water and press the 'STOP' then the 'START' button to restart the ice maker.



ICE FULL: This light will come on with a 'beep beep' noise when the ice has reached the maximum capacity of the storage cabinet.

OPERATION INSTRUCTIONS:

1. Open the lid and fill the water reservoir with water
Note: Ensure the water level in the water reservoir is not over the bottom of ice collecting tray.
2. Connect the ice maker to power.
3. Select the ice cube size by using the SELECT button on the control panel.
Note: Please select S (Small) when the ambient temperature (room temperature) is below 15 Degrees Celsius.
When the ambient temperature (room temperature) is higher than 30 Degrees Celsius, Large ice cube sizes is recommended.
4. Press the START button on the control panel to begin operation.
Note: for the first three cycles, the ice may be small or irregular in size.
5. If the ADD WATER indicator is illuminated and the unit is beeping, remove the basket and then add water as per step 1. Then press the STOP button on the control panel. Then press the START button on the control panel to restart the ice maker.
Note: If no water is pumped up to the water tray over two cycles but the water in water tank is enough, open the drain cap, and allow several drops of water to run out. This is to clear any air blockages.
6. If the ICE FULL indicator is illuminated red and the unit is making a beeping sound, please remove the ice with the scoop.
Note: When the ice collection tray is full, remove the ice immediately. Do not allow the ice collecting tray to overflow.
7. Press the STOP button on the control panel to stop ice making operation.
8. Remove the drain cap at the rear of the unit to drain water until there is no more water in the tank.



Location of drain cap.

CLEANING AND MAINTENANCE:

1. Clean the inner liner, ice collecting tray, water box, ice shovel and evaporator frequently. When cleaning, unplug the unit and remove the ice cubes. Use a diluted solution of water and vinegar to clean the inside and the outside surface of the ice maker. Do not spray ice maker with chemicals or diluted agents such as acids, gasoline or oil. Rinse thoroughly before starting.
2. Keep ventilation openings in the appliance enclosure, or in the built-in structure, clear of obstruction. Do not use mechanical devices or other means to accelerate the defrosting process, other than those recommended by the manufacturer.
3. Do not immerse the appliance in water.
4. Always use fresh water before starting ice production either at initial installation or after a long shut-off period.

TROUBLESHOOTING NOTES:

Due to fast freezing, ice cubes may appear “cloudy”. This is air trapped in the water and will not affect quality or taste of ice.

It is normal for the compressor and condenser surface to reach temperatures between 70°C and 90°C during operation and surrounding areas may be very hot.

TROUBLESHOOTING:

Problem	Possible Reasons	Suggested Solutions
The compressor works abnormally with a Buzzing noise.	The voltage is lower than recommended	Stop the ice maker and do not restart until the voltage is normal.
	The compressor has moved during transportation	Stop right away, and keep it on a flat surface for 24h, then restart.
ADD WATER indicator is illuminated	The water is not enough	Fill water to the MAX line, then press the start button to restart.
	The pump is full of air	Open the drain cap, and let several drops water runs out, then restart.
	The pump is blocked	Clean the water pump after removing it.
	The pump is broken	Replace pump.
Indicator lights on display are not on	Blown fuse/ No power	Replace fuse / Turn power on.
The Ice made is too large and with pieces sticking together	Wrong ice size is selected	Select small size if temperature is cool.
	Ice from previous batch left in the ice tray	Stop the unit right away, restart the unit once the ice has been removed or melted.
	The evaporator is too low	Shift the evaporator a little up.
Ice made, but no push on the ice basket	The ice shovel is broken	Replace the ice shovel.
Both ICE FULL and ADD WATER indicators come at the same time.	Water tray is blocked by ice cubes	Clear the ice under the ice shovel, then restart the machine.
	The motor is dead	At standby mode, push the water tray back till a click sound is made and then pull it forward till another click sound is made. Repeat this 5 times. Then restart the unit.
Machine is running, but water is warmer than beginning	Magnetic valve malfunction	Turn on the unit for 1 minute, Then press the STOP button and disconnect the unit from power. Wait 3 minutes. Then connect the power again. Repeat the cycle of turn on, stop, unplug and reconnect 2 more times.
	Magnetic valve is broken	call for service.
Ice is made; however it won't drop from evaporator	Magnetic valve is broken	call for service.
	PCB is broken	
Ice making process is right, but no ice is made	There is no refrigerant in the compressor.	call for service.

SPECIFICATIONS:

Daily Ice Output: 15kg / 24 hours

Ice Sizes Three (3): small, medium, large

Ice Storage Capacity: 600 g

Compressor High efficiency CFC free R600a

Watts: 150W


Water Reservoir Capacity: 1.8 L

Dimensions(W*D*H): 340 x 410 x 365 mm

Gas: R600a

LENOXX

www.lenoxx.com.au

 1300 666 848

 LenoxxElectronics

 LenoxxElectronics

 @LenoxxAustralia