

Healthy Choice[™]
AF1000B

AIR FRYER

LARGE 10L CAPACITY



Model no: AF1000B

BATCH NUMBER: PR4181

PLEASE READ AND RETAIN THESE INSTRUCTIONS FOR FUTURE REFERENCE

ABOUT THE PRODUCT:

Your personal chef has arrived.

Whatever the occasion – the Large Multifunctional Air Fryer has got you covered. Loaded with a baking cage, rack, tongs and chicken rotisserie, this air fryer is packed and ready to make meals that will take your cooking to the next level (in just a fraction of the time!).

Better yet, this cutting-edge 'turbo air' technology cooks your food with minimum oil, while still providing maximum taste. Simply add your ingredients into its huge 10 litre capacity and wait as the air fryer circulates 'superheated' air up to 200 degrees Celsius. Watch as your food grills, roasts, fries or bakes its way to perfection behind our secure, glass viewing window.

This Large Multifunctional Air Fryer gives you the tools to cook your way to a healthier life – offering a low-fat, low-calorie, fast-cooking alternative that does not sacrifice taste or quality.

Healthy eating doesn't have to be boring – pave your own path with a new way to prepare delicious food, just at the turn of the simple to use timer and temperature dials.

IMPORTANT SAFEGUARDS:

When using electrical appliances, basic safety precautions should always be followed, including the following.

1. Read instructions carefully before use.
2. Remove and safely disregard any packaging material and labels before using this product for the first time. Ensure children and babies do not play with plastic bags or any packaging materials.
3. Do not touch hot surfaces. Use the handles on the appliance and oven mitts.
4. Before use, check that your local voltage corresponds with the specifications shown on the appliance nameplate located under the appliance.
5. Do not turn on power until this appliance and parts are in place as required. Make sure the lid is down before plugging and switching on the power.
6. To protect against electric shock, do not immerse the cord, plug, or this appliance in water or other liquid.
7. Close supervision is necessary when any appliance is used near children.
8. Unplug from outlet when not in use and before cleaning. Allow the appliance to cool down before putting on or taking off parts, and before cleaning the appliance.
9. Do not operate any appliance with a damaged cord or plug or after the appliance malfunctions or is dropped or damaged in any manner, take it to the store where the unit was purchased or call Lenox customer service for further assistance on 1300 666 848.
10. Do not use appliance for other than intended use. And this is household use only. It is not to be used out doors or for commercial purposes.

11. This appliance is intended to be used in household and similar applications such as:

- staff kitchen areas in shops, offices and other working environments;
- farm houses;
- by clients in hotels, motels and other residential type environments;
- bed and breakfast type environments

12. The unit should be operated on a separate electrical power point from other operating appliances. If the power point is overloaded with other appliances, this appliance may not work properly.

13. Extreme caution must be used when moving an appliance containing hot food.

14. Do not place on or near a hot gas or electric burner, or in a heated oven. Also keep away from the flammable material such as curtains, draperies when it is working.

14. Leave enough open space from other subject when in use.

15. Do not let cord hang over the edge of table or counter or touch hot surface.

16. Do not leave the cord hanging.

17. Do not unplug the appliance by pulling on the cord.

18. Do not overload the internal cooking bowl, the maximum weight of the food is 2KG.

19. Do not cover the appliance while in use.

20. This appliance is not designed to be used by people (including children) with a physical, sensory or mental impairment, or people without knowledge or experience, unless they are supervised or given prior instructions concerning the use of the appliance by someone responsible for their safety. Children must be supervised to ensure that they do not play with the appliance.

SHORT CORD INSTRUCTIONS:

Do not use with an extension cord. A short power supply cord is provided to reduce the risks resulting from being entangled in or tripping over a long cord.

PREPARATION FOR USE:

Before using the air fryer for the first time:

Warning: when using for the first time, the appliance may emit slight odour which is not harmful and will disappear after a few minutes. This is because a protective oil was applied to protect parts from possible friction in transport.

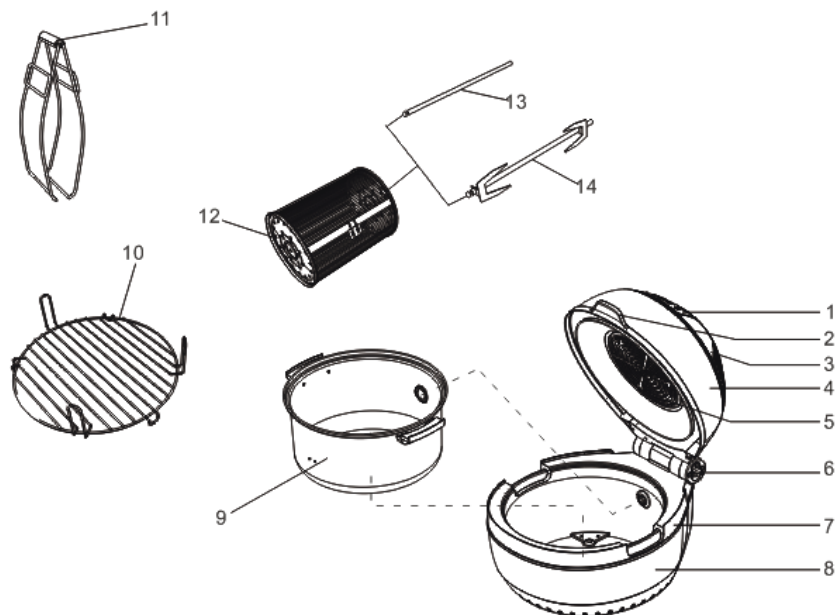
Carefully unpack the unit and remove all the packing materials. Select a flat, heat-resistant Non-flammable surface to place the unit.

Use sponge and soapy water to remove any dust on the surface that may happen during packing and transport. Allow it to dry before use.

TECHNICAL SPECIFICATIONS:

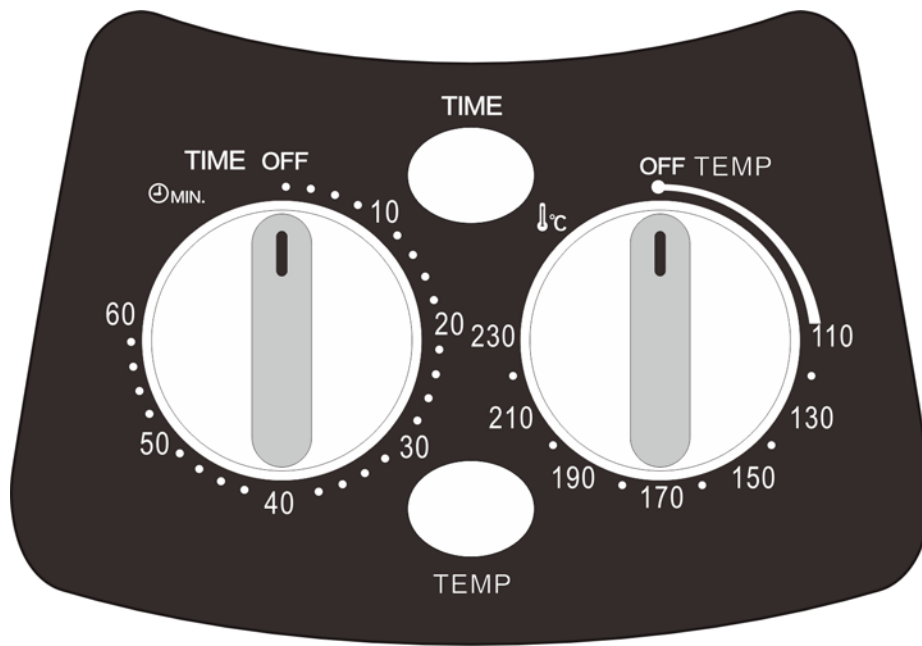
Voltage :	220~240V
Power :	1300W
Frequency:	50~60Hz
Temperature Range :	110~230°C
Time setting Range :	1~60 min
Capacity :	10L

CONSTRUCTION AND FEATURES:



1 · Control Panel	2 · Lid Handle
3 · Heat emission hole / Louver	4 · Transparent Cover
5 · Heating Fan	6 · Fixed Switch
7 · Spindle Hole	8 · The Base
9 · Cold plate spray teflon	10 · High/Low dual Rack
11 · Tong	12 · Baking Cage
13. Spindle	14. Chicken Fork

CONTROL PANEL:

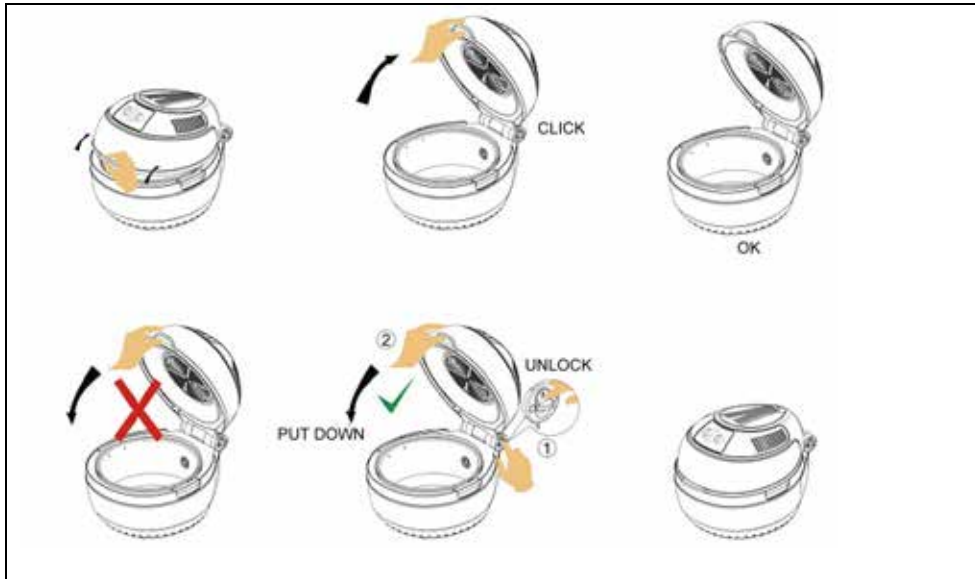


Item Number	Function
1. Red Light	Time Light
2. Green Light	Temperature Light
3. TIME Dial (Left)	Set your desired cooking time
4. TEMP Dial (Right)	Set your desired cooking temperature

Note: For more information see later part of instructions.



Warning: Below is the correct method of opening or closing the cooking lid:

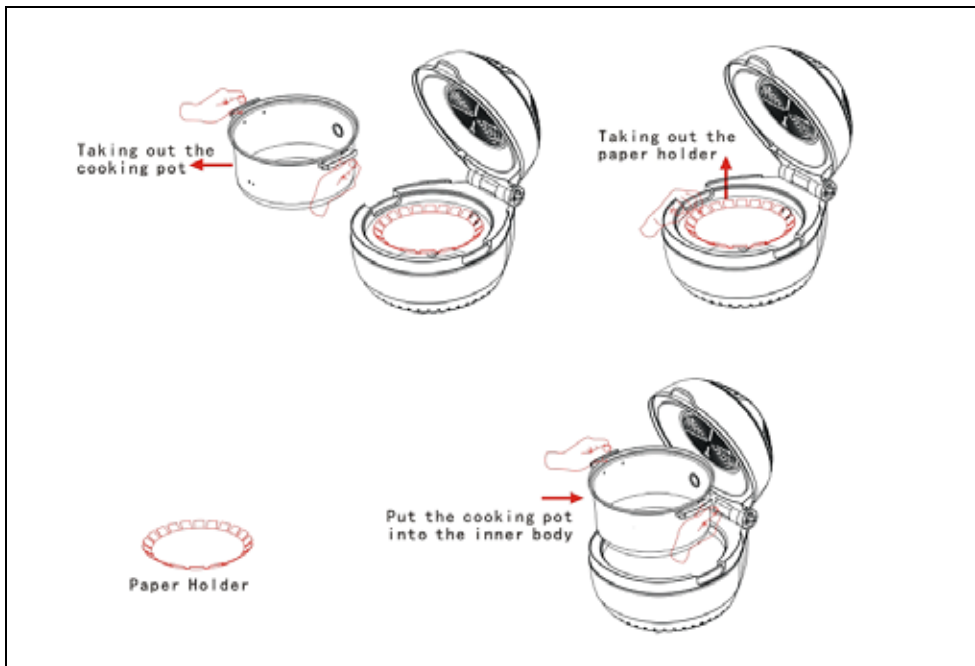


Warning:

Before opening the lid, the cooking process must be stopped. Please press down on the Fixed Switch (as illustrated above) to unlock the lid. The steam coming out of the air fryer will be hot and may cause burns. Proceed with care when opening the unit.



Warning: Before use, remove the paper holder from inside the unit.



ACCESSORIES:



Tongs



Dual Rack



Baking Cage



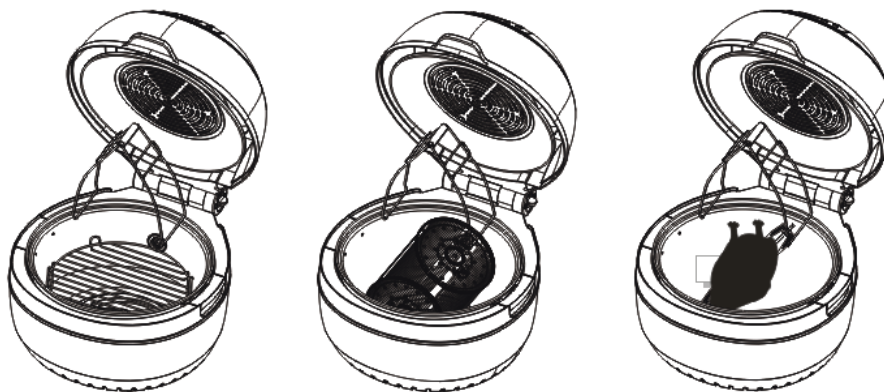
Chicken Fork

Item	Description
Tongs	For holding food, baking pan or dual rack
Dual Rack	<p>Low Rack: Good for cooking larger food items such as roast poultry (full size), vegetables, etc. Legs are short ways down when placed in the unit.</p> <p>High Rack: Suitable for cooking medium food items such as chicken wings, pizza, etc. Legs are long ways down when placed in the unit.</p>
Baking cage	Suitable for food like French fries and those need rotating & even heating.
Chicken Fork	Suitable for a whole chicken or lamb leg.

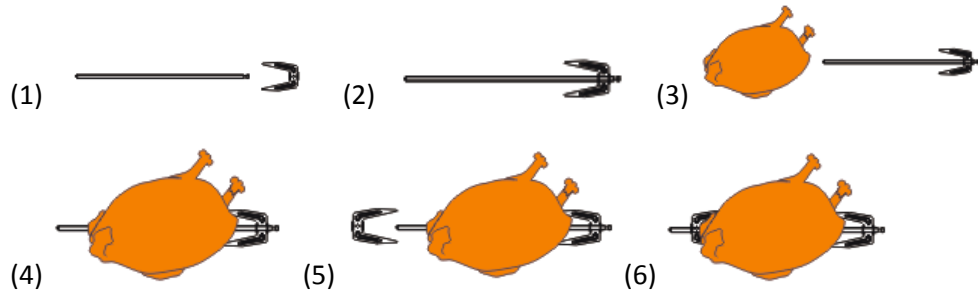
HOW TO USE THE ACCESSORIES:

When handling the heated accessories and food, please use tongs provided and if necessary use oven mitts.

Please pay attention to the temperature of the inner pot. Take care handling the pot if it is hot. Use oven mitts and use both hands to lift it out and carry it to prevent any accident or injury.

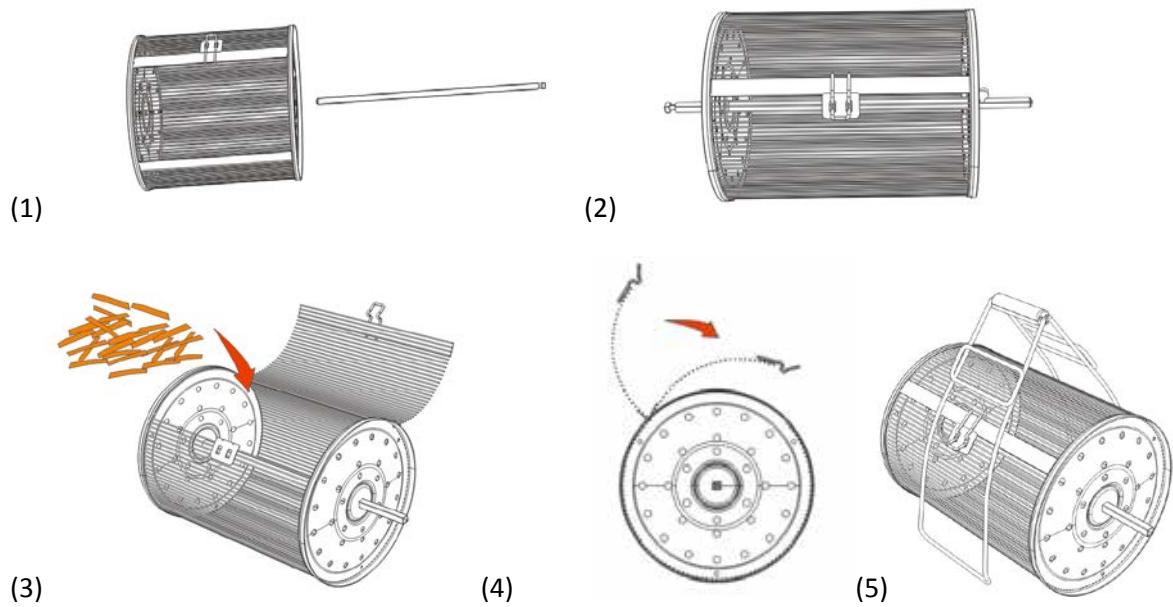


1. Use of Fork for whole chicken:



Attach the included screws to the chicken fork and twist them to secure the chicken forks to the rotisserie stick.

2. Tong and Baking Cage:



Use one of the included screws to secure the baking cage to the rotisserie stick. Twist the screw to secure the baking cage to the rotisserie stick.

COOKING:

1. Choose your desired method to cook your food items, whether it is using the included cooking rack, the included baking cage or an oven safe pan inside the air fryer (not included).
2. Add the food to the air fryer. If you use the baking cage, please put the food inside before placing into the air fryer.
3. Keep the food about 15-20mm from the inner bowl of the air fryers edge to allow for maximum hot air circulation. If you use the baking cage, please put the food inside before placing into the air fryer.
4. Close the lid and make ensure the food dose not touch the top of lid.
Insert the power cord firmly into the wall AC main outlet.
5. Turn the TIME dial to your desired cooking time.
6. Turn the TEMPERATURE dial to your desired cooking temperature.
7. The air fryer will now begin it's cooking process.
8. If the lid is opened during the cooking process, the air fryer will pause. The timer will continue but the unit will not heat. When the lid is closed again, the cooking process will resume.
9. When time timer reaches zero, the air fryer will make a 'ding' sound to alert that the cooking process has been completed and the air fryer will stop operation.

COOKING GUIDE:

The cooking times are a guide only. They could vary depending on quantity, temperature and weight etc.

Food	Temperature	Time	Accessory to recommend	Note:
Chicken breast piece	220°C	25~ 30mins	Low Rack	Below 300g
Roast Chicken 2 kg	220°C	90 – 100 mins	Rotisserie stick	
Frozen French Fries	230°C	25~ 30mins	Baking cage	
Cashew nuts	200°C	5~8mins	Baking cage	
Coffee beans	230°C	15~ 20mins	Baking cage	
Chicken Wings	200°C	12~ 15mins	Baking cage / High Rack + Baking Tray (not included)	
Cupcake/muffin	180°C	10~ 15mins	Baking Tray (not included)	
Pizza	200°C	10~ 15mins	High Rack	
Steak	190°C	12~ 16mins	High Rack	
Bake Shrimp	200°C	5~8mins	High Rack	
Bake Bread	180°C	15~ 20mins	Low Rack + Baking Tray (not included)	

Important: When cooking a medium to large size chicken using the rotisserie stick and the chicken forks, please use cooking string to tie the chicken's thighs and wings to avoid the chicken touching

the heating top panel during the cooking process.

***For cooking frozen food, please allow more time according to weight.**

CLEANING:

Unplug the unit and allow it to cool down completely before cleaning.

* Completely clean and dry all parts after every use.

1. Once the unit has cooled completely, clean the bowl thoroughly with warm soapy water and a damp cloth. Do not clean with a hard object such as wire brush.
2. For self-cleaning, add half inch of water with mild liquid detergent. Close the head/lid. Set the temperature to 60°C, set the timer for 15 minutes and allow residue to soften as it heats. Unplug and cool completely before continuing to clean.
3. To clean fan cover unplug the appliance and cool completely. Wipe top of fan cover with a soapy damp cloth or sponge to remove any grease.

CAUTION:

1. Never immerse cord or plug into water or any other liquid.
2. If scrubbing is necessary, use a nylon or polyester mesh pad.
3. Do not use a steel wood pad or abrasive material.
4. Never use solvents or cleaning powder.
5. Do not get any liquid inside the head/lid.

STORING:

Allow the unit to cool completely before storing. Store the appliance in a dry location. Do not place any heavy items on top of appliance during storage as this may result in possible damage of appliance.

Healthy Choice™

Dear Valued Customer,

Thank you for purchasing the AF1000B, 10L Air Fryer.


Your comments are important to us because they help us provide high quality, competitive and innovative products, just for you. If you are satisfied with your product, we kindly ask you to please take a moment to write a review on www.productreview.com.au and/or through the website where you have purchased your item.

If you have any questions concerning our products, please call our customer service department on **1300 666 848**. *Your feedback makes us better.*

Thank you for choosing Healthy Choice by Lennox.

LENOXX

www.lenoxx.com.au

 1300 666 848

 LenoxxElectronics  @LenoxxAustralia