

**LENOXX**  
**BT9330**

**LED PORTABLE**  
**Bluetooth® SPEAKER**



Model no: BT9330

Batch no: PR4482

PLEASE READ AND RETAIN INSTRUCTIONS FOR FUTURE REFERENCE.

The illustrations used in this manual are to illustrate the operation method and structure of the product. Where there is a small difference between the physical item and the illustrations, please take the physical as the standard.

#### **ABOUT THE PRODUCT:**

Enjoy vibrant and stylish musical convenience with our LED Portable Bluetooth Speaker, featuring colour-changing LEDs in the dual woofers as well as blue LED top control knob and front arrow strips. This Bluetooth system will be sure to entertain wherever you go with its rechargeable and portable abilities.

Each woofer is 16.5cm in circumference and puts out 15 watts each, ready to gear your next chill-out session. The colour-changing LEDs add vibrance and depth to the speaker, however if the LED lights are a bit too much for you, you can simply switch them off. Enjoy your favourite tunes via Bluetooth, aux-in, USB, TF card or FM radio.

The microphone input makes karaoke very simple and fun– it's as easy as plug and go. Microphones can also be plugged in for speeches and announcements at your next ceremony, party or celebration. The full functional remote can control the power, volume, equaliser, previous, next, play, pause, input mode, repeat and a quick-access mute button.

Whether relaxing at home or entertaining your guests, you can enjoy a wide range of compatibility with your smartphone, tablet and other music devices. Our LED Portable Bluetooth Speaker boasts an impressive 30 watts RMS sound and is lightweight at just over 3 kilograms and at a height of 57 centimeters, including convenient built-in carry handles, perfect for taking on-the-go.

With a charge time of 7-8 hours and a playback time of 2-3 hours, this LED Portable Bluetooth Speaker is ready to entertain anywhere at any time.

## **IMPORTANT SAFETY INSTRUCTIONS:**

### **CAUTION:**

To reduce the risk of fire or electric shock, do not expose this equipment, its charger and remote to rain or moisture; do not use it anywhere near water or where water splashes or drips; do not touch the plug with wet hands.

In the event of water or other liquids entering the device, unplug it immediately and clean and dry it as best as possible. Then have it checked for damage by a qualified technician or contact the after-sales support line.

### **Electrical safety and cord handling:**

- To prevent contact with high voltage components inside, do not attempt to open the equipment.
- Before installing this equipment, make sure your outlet voltage corresponds to the voltage stated on the appliance rating label.
- When connecting the equipment, align the plug properly and insert it fully to prevent electric shock.
- Only use this equipment with the charger supplied, and do not overload the power outlet.
- If the charger becomes damaged, do not use the equipment. The charger must be replaced by the manufacturer or similarly qualified personnel to avoid a hazard. Contact the after-sales support line for advice.
- Do not repair the unit yourself. This product has no user-serviceable parts. Only have it serviced by qualified personnel. Contact the after-sales support line for advice.
- Unplug the unit from the power outlet after use to avoid possible damage during electrical storms, or when the equipment will be unattended or unused for an extended period.
- Do not let the charger's cord hang over the edge of a table or counter or touch any hot surface. Do not allow anything to rest on or roll over the charger's cord and run any cords so that no one steps on or trips over them.
- Do not run the charger's cord near heat-producing appliances such as radiators, stoves or irons. Excessive heat could melt insulation and expose live wires.
- Always grasp the plug, not the cord, when disconnecting the charger from the unit. Pulling the cord can damage the internal wires and may cause a fire.

### **Installation:**

When installing the unit, make sure to place it:

- Away from heat sources, radiators or other products that produce heat.
- Away from areas with hot temperatures, high humidity or direct sunlight.
- Away from excess dirt and dust.
- Away from open windows and any place where water may get into the unit and damage it.
- Make sure there is free circulation of air around the unit. Do not place it on a thick carpet, a bed or any place where ventilation holes are obstructed. Leave at least 10cm clearance around the unit.
- Make sure the mains socket is always readily accessible.

### **Usage conditions and restrictions:**

- Do not place heavy objects on top of the equipment or step on it.

- Do not place objects filled with water (such as vases) or any naked flame sources (such as lit candles, incense sticks or cigarettes) on top of the unit.
- The equipment is not intended for use by persons (including children) with reduced physical, sensory or mental capabilities, or lack of experience and knowledge, unless they have been given supervision or instruction concerning use of the equipment by a person responsible for their safety.
- Young children should be supervised to ensure they do not play with the equipment. Close supervision is always necessary when an appliance is used by or near children.
- We assume no liability for any damage caused by noncompliance with these instructions or any other improper use or mishandling of the equipment.
- Usage of controls, adjustments or performance of procedures other than those specified herein may result in hazardous radiation exposure. Repairs may not be carried out by anyone except qualified service personnel.

## Getting Started

### Before First Use:

- The unit may become hot during operation. Always leave sufficient space around the unit for ventilation.
- The voltage supplied to the unit should match the voltage that is printed on the chargers panel. If you have any doubts concerning this matter, consult an electrician.
- Avoid placing the unit in direct sunlight or close to any sources of heat. Also avoid locations subject to vibrations and excessive dust, heat, cold or moisture.
- Do not expose the unit to water.
- Do not place the unit on an amplifier or receiver.
- Do not open the cabinet as this might result in damage to the circuits or an electric shock. If a foreign object gets into the unit, contact your dealer or service company.

### Remote control battery warning:

**This product contains a coin/button cell battery inside.**

**If swallowed, go straight to a hospital emergency room.**

- **WARNING - KEEP BATTERIES OUT OF REACH OF CHILDREN**
- Swallowing may lead to serious injury in as little as 2 hours or death, due to chemical burns and potential perforation of the oesophagus.
- If you suspect your child has swallowed or inserted a button battery immediately call the 24-hour Poisons Information Centre on 13 11 26 (in Australia) or 24-hour National Poisons Centre on 0800 764 766 (in New Zealand) for fast, expert advice.
- Examine devices and make sure the battery compartment is correctly secured, e.g. that the screw or other mechanical fastener is tightened. Do not use if compartment is not secure.
- Dispose of used button batteries immediately and safely. Flat batteries can still be dangerous.
- Tell others about the risk associated with button batteries and how to keep their children safe.



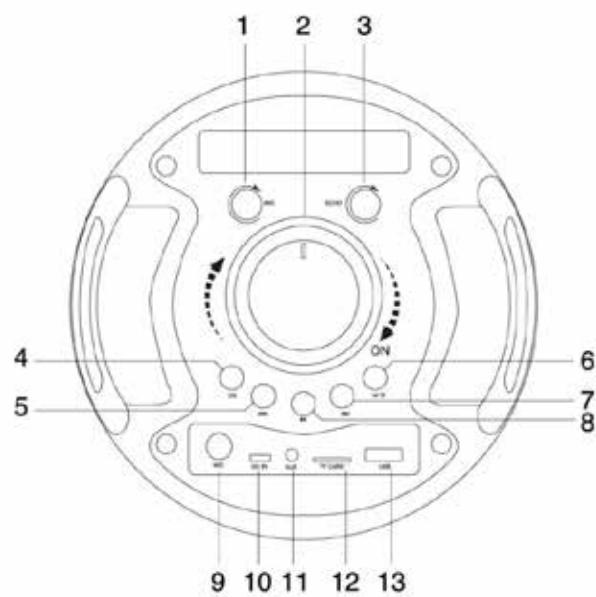
**Power supply/ Recharging the speakers built in battery:**

- The unit operates on an internal rechargeable Li-ion battery and mains power.
- The battery can be recharged with the provided charger. Before first plugging the appliance check that voltage indicated on the rating label corresponds
- Insert the charging cable into the DC 5V socket (micro USB) on the unit.
- Plug the charger to the power source.
- For best results, try to fully charge the battery before each use. If the battery is drained, please allow it to recharge for a few hours.
- Rotate the OFF/ON switch into ON position (to the right) to switch the unit on. Rotate it into OFF position (left) to switch off.
- Full re-charge time is 7 – 8 Hours.
- Playback time is 2 – 3 Hours.
- Re-charge the speaker when the sound is weak or distorted.
- Charge indicator is red while charger is connected and unit is charging. Charge indicator is off when battery is full or the speaker is no longer connected to the charge cable.

**Accessories:**

- 5V 1A charger
- Remote control

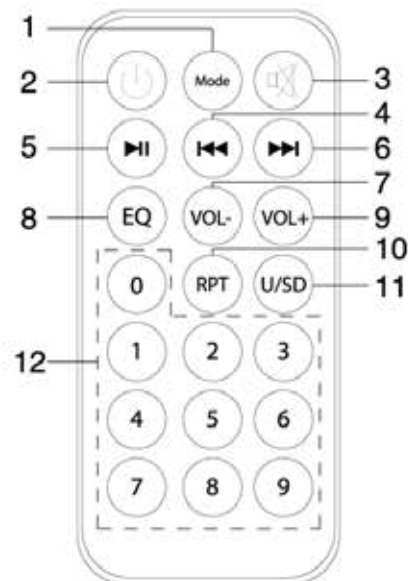
## Controls:



1. Microphone volume knob
2. Power ON/OFF switch/ Volume knob
3. Echo effect knob (for microphone)
4. EQ button
5. I◀◀ (PREVIOUS) button
6. M (Mode)/ Light button
7. ▶▶I (NEXT) button
8. ▶II (PLAY/PAUSE) button
9. Microphone input
10. DC 5V charging port
11. AUX input
12. TF (micro SD) card slot
13. USB port

### Remote control:

1. MODE button
2. POWER button
3. MUTE button
4. I◀◀ (PREVIOUS) button
5. ▶II (PLAY/PAUSE) button
6. ▶▶I (NEXT) button
7. VOL- button
8. EQ button
9. VOL+ button
10. RPT (REPEAT) button
11. U/SD button
12. Numerical buttons



### Bluetooth mode:

**The Bluetooth name for the speaker is name BT9330.**

- This unit can wirelessly playback audio from any device with Bluetooth A2DP function.
- The wireless range is approximately within 10 meters in direct line of sight.
- Wireless audio streaming requires pairing of a Bluetooth device (e.g. smartphone).

#### HOW TO PAIR YOUR DEVICE TO THIS UNIT:

- Make sure the Bluetooth function is switched on in your device (e.g. smartphone, tablet).
- Switch on the unit and press the MODE button repeatedly to select the Bluetooth mode (selected by default). The display will show "bt".
- Once the Bluetooth pairing indicator begins flashing, you will find the unit listed in the Bluetooth connections list of your device (as BT9330).
- If asked for a passcode, enter "0000".
- The initial setup is required only once per device. The unit will automatically pair to the last paired device.
- The LED indicator will flash when searching for a Bluetooth device and stay on when the devices are paired.
- When playing, you can press the ▶II (PLAY/PAUSE) button to play /pause the playback.
- When playing files, you can press the I◀◀ (PREVIOUS) button and ▶▶I (NEXT) button to go to the previous and next track.
- Rotate the volume knob or press the volume buttons on the remote to adjust volume. Volume can also be controlled from your Bluetooth device.

### **External device connection (AUX in)**

- You can connect the audio output of an external device to this unit, to listen to the sound of that device through the speaker.
- To connect an external audio device, please use an audio cable with 3.5mm-to-3.5 mm plugs (not included) to connect the headphone out or audio line-out of the external device to the AUX input of this unit.
- Press MODE button to select the AUX mode.
- Turn on the external device. You can press the volume buttons to adjust volume.

### **USB/ Micro SD operation:**

#### Playback

- Turn on the device.
- Insert a micro SD (TF) card into the slot. Or insert a USB drive into the USB port. Press the MODE button repeatedly to select the USB or Micro SD mode.
- When playing, you can press the ► II (PLAY/PAUSE) button to play /pause the playback.
- During the playback you can press the I ◀◀ (PREVIOUS) button and ►► I (NEXT) button to go to the previous and next track. Rotate the volume indicator to adjust volume.
- \*\* It may take up to 60 seconds to open and verify a large microSD card / USB drive with many files.
- Press the EQ button to switch between various equalizer presets. EQ is only available in the BT and USB/TF modes.

#### General USB/Micro SD notes

- This unit is equipped with a micro SD slot and USB port that can read and play MP3 files stored on standard micro SD cards and USB drives up to 32 GB.
- FAT and FAT32 file system is supported by this unit.

Never remove micro SD cards and USB drives from the unit during playback, always stop playback, then press the MODE button to switch to another mode before removing the storage to prevent damage to your files and cards/drives themselves.

\*\*If there is a micro SD card or USB installed in the unit, when powered on, playback will automatically start from micro SD/USB.

\*\*Slight noise during playback pauses a construction defect, it is determined by the factory presets of the dynamic noise reduction system.

### **FM radio:**

- Turn on the device.
- Press the MODE button repeatedly to select the FM mode.
- Press PLAY/PAUSE to automatically scan and save all available radio stations. The procedure will take several minutes and cannot be interrupted.
- Radio frequency can be set manually using the numeric buttons on the remote control.
- Once the search is finished, you can press the I ◀◀ (PREVIOUS) button and ►► I (NEXT) button to go to a previous or next radio station. Also you can input the frequency directly using the numeric buttons on the remote.



**Microphone:**

- You can connect a microphone for karaoke or other purposes into this unit by connecting it to the 6.35mm microphone input jack. Please do not plug the microphone when the unit is charging.
- While connected, you can control the microphone volume and echo effect by rotating the corresponding knob on the top panel.

**Mood light:**

- Press and hold the M / LIGHT button to switch the mood light on and off.

**EQ:**

- Press the EQ button to change between the different EQ modes.

**Maintenance and cleaning:**

Switch off the unit, unplug from the power supply.

The outside of the speaker can be cleaned with a soft slightly damp cloth.

Never submerge the speaker, remote control or charger into water or other liquids.

**Specifications:**

Battery: Li-ion, 3.7v/4500mA

Output power: 150 W

Input Voltage: 220 – 240V – 50/60 Hz

FM radio: 87.5 – 108 MHz

Charger: 5V 1A

Charge time: 7 – 8 Hours

Playback time: 2 – 3 Hours

Remote control battery: CR2025

USB/TF card max capacity: 32GB

Net weight: 3.33 Kg

Unit dimensions: 570 x 200 x 215 mm

# LENOXX

[www.lenoxx.com.au](http://www.lenoxx.com.au)

 1300 666 848

 LenoxxElectronics

 LenoxxElectronics

 @LenoxxAustralia